

B21 OUTLET STORES
802 Edelweiss VLG PKWY
Gaylord, MI 49735
(989) 448-2013

\$5 off Your purchase of \$30 or more.

2 100003 062932

Cannot combine with any other offer. One discount per customer. Must surrender coupon upon use. Other exclusions may apply. Not valid online. EXPIRES 05/31/21.

Charlevoix County News

STILL JUST **75¢**

YOUR SOURCE FOR LOCAL NEWS & SPORTS

BOYNE CITY, CHARLEVOIX, EAST JORDAN, ELLSWORTH AND SURROUNDING AREAS APRIL 29, 2021

"Northern Michigan's Newest Ford Dealer"




M MATT LAFONTAINE AUTOMOTIVE

Matt LaFontaine Ford
06725 US 31 Hwy S
Charlevoix, MI 49720
888-250-7085

MattlafontaineFord.com

CHARLEVOIX – This newly constructed home is all ready for you to bring your stuff and start living your home ownership dream! The 3 bed, 2 bath layout works perfect and has a nice flow to the property. The home is located in the "golden triangle" between Boyne City, Charlevoix, an dPetoskey, and less than a block away is the convenience store for anything you may need in a hurry! Brand new from top to bottom, this home is sure to please. All furnishings and mounted 65-inch TV included with sale. Schedule your tour today...cause it probably won't be there tomorrow! **\$217,000.**



Lynda's
Real Estate Service

www.whyLyndas.com
27 S. LAKE ST., BOYNE CITY
231-582-9555

Senior
Hi-Lites
Charlevoix County Commission on Aging Newsletter

Inside This Week's Edition

Public school measures head upcoming May 4th election

BY RON NICKEL

Next week northern Michigan will have a number of key proposals to vote on, four of which are funding for local public schools. Kalkaska, Gaylord and Alanson school districts have bonding proposals or millage renewals on local ballots. Additionally there will be a Cheboygan-Otsego-Presque Isle multi-district special education renewal proposal.

Other key initiatives include the Antrim county Township Ambulance Authority millage, the Otsego County Justice Center Complex and the Tuscarora Public Library millage. A

complete list of proposals by county can be found below.

ANTRIM COUNTY

Central Lake, Chestonia, Custer, Forest Home, Helena, Kearney, Mancelona, Star and Warner townships will vote on the Township Ambulance Authority proposal. This proposal will levy 1 mill over 2 years (through 2022) for acquiring, maintaining and repairing ambulatory facilities within the Township Ambulance Authority.

Warner Township will also have the 1special education and 2Gaylord Community School proposals mentioned previously and described below.

CHARLEVOIX COUNTY

Chandler and Hudson townships will be voting on the special education proposal.

CHEBOYGAN COUNTY

The city of Cheboygan, as well as Aloha, Beaugrand, Benton, Ellis, Forest, Grant, Hebron, Inverness, Koehler, Mackinac, Mentor, Mullet, Munro, Nunda, Tuscarora, Walker, Waverly and Wilmot townships will all vote on the multi-district special education proposal. Tuscarora Township will also vote on the Tuscarora Public Library proposal. This proposal will provide an additional .40 levy for 10 years

(through 2030) to operate, maintain and equip the Tuscarora Public Library.

CRAWFORD COUNTY

In Crawford County, Maple Forest Township will vote on both the 1special education and 2Gaylord Community Schools proposals.

EMMET COUNTY

Carp Lake and Wawatam townships will also have the 1special education proposal on their ballots.

The townships of Little Traverse, Littlefield, Maple River and Pleasantview will be considering the Alanson Public Schools millage renewal. This proposal will renew a previously approved

18 mills levy for 5 years (2022-2026) to provide operating costs for Alanson Public Schools.

KALKASKA COUNTY

Bear Lake, Blue Lake, Clearwater, Coldsprings, Excelsior, Garfield, Kalkaska, Oliver, Orange, Rapid River and Springfield townships will be voting on the Kalkaska Public Schools bonding proposal. This initiative would allow Kalkaska Public Schools to borrow up to \$16,850,000 in tax bonds, to be repaid in no longer than 14 years. This proposal would have no increase to the previously approved 1

SEE ELECTION—PAGE 3A

Inside

NEWS

- Weather - Page 2
- Obituaries - Page 2
- Ellsworth Pig Roast
- Recognizing Past - Page 3
- Boyne City Commission Nomination Results - Page 3
- Dream To Gallery Talks at Charlevoix Circle Of arts - Page 3
- BC BLAZE ROBOTICS wins district award - Page 4
- EJ Middle School Shoe Club raises \$70,000 for Solar array - Page 4
- Boyne Falls student of the week - Page 4
- Court cases - Page 5
- Police report - Page 5
- News Briefs - Page 6
- Boyne Valley Garden Club celebrates Earth Day - Page 14
- Sue DeYoung and Judy Edger Walk, Run, for a Cure - Page 14

SPORTS

TRACK

- Ava Maginity athlete of the week - Page 9
- Bobby Hoth athlete of the week - Page 9
- Ramblers get season rolling - Page 11

SOFTBALL

- Ellsworth Softball - Page 9
- Rayders split double header - Page 9

SOCCER

- Rayders stay perfect - Page 10
- Ramblers back at full strength - Page 11

BASEBALL

- State ranked coaches poll - Page 10

BASKETBALL

- Boys TEAM FIRST award - Page 10
- Girls TEAM FIRST award - Page 10
- Girls All-State - Page 10
- LMC All Conference Girls - Page 10

- Classified ads - Page 12, 13
- Legal Notices - Page 12, 13
- Auctions - Page 12
- eature home of the week -

EJ School Shoe Club celebrate Earth Day with ribbon cutting of new Solar Spark

BY KAREN WALKER

East Jordan Public School students celebrated Earth Day with a ribbon cutting ceremony for the Shoe Club's Solar Spark project. Thirty students from East Jordan's 7th and 8th grades took on the challenge of researching, planning and fund raising for the installation of a 71 panel, 30 kilowatt solar array that is projected to save the school \$130,000 and reduce carbon dioxide emissions by 1.5 million pounds over its 30 year expected lifespan.

Led by middle school teacher Matt Hamilton, the Shoe Club's purpose is to help kids deal with life's issues in appropriate ways, set goals, dream big, work hard and give back. The Shoe Club normally takes trips and volunteers in the community. But due to the pandemic this school year, they were not able to do the things they normally do. So instead of little projects throughout the year, the students decided to focus on one big project. Mr. Hamilton noted that this is the largest student-led project the school has ever attempted.

To finance the project aptly named "Solar Spark", the students helped set up an online GoFundMe account, giving the community the opportunity to contribute to the project.



Rylan McVannel and Riley Cannon along with other Shoe Club members cut the ribbon for the new 71 panel, 30 kilowatt solar array.

The group also held a fundraiser and applied for grants, raising the necessary \$70,000 to purchase and install the array. The fundraising efforts were enthusiastically supported by the community, helping the students easily reach their goal.

Several students addressed the crowd who gathered for the ribbon cutting ceremony outside the school's auditorium where the panels are installed on the roof. The students explained the scope of the project, noting that educating other students about renewable energy will be a

lasting outcome of this project. The students say they've learned a lot about teamwork, and hope to inspire others to use this type of electrical power.

School Superintendent Matt Stevenson said, "I am extremely proud as the superintendent of East Jordan Public Schools, looking at the end product and knowing what went into this". "These kids have created a lasting legacy for the community".

Since its inception in 2008, the Shoe Club has been contacting inspirational leaders and role models from around the world

and collecting their donated shoes to display in the classroom. People such as Steven Spielberg, Michael Jordan, and Arnold Palmer have donated their shoes as reminders to the students about working hard, making good choices, not bullying others, and better understanding others by "walking" in each other's shoes.

FOR MORE ON THE SOLAR ARRAY SEE RELATED ARTICLE ON PAGE 4A

East Jordan Fire Department receives \$2,050 grant from the Great Lakes People Fund

Thanks to a gracious grant from the Great Lakes Energy People Fund, the East Jordan Fire Department purchased and installed several pieces of life-saving equipment for emergency water rescues. Last year, the fire department responded to approximately 10 serious water-related emergencies and they anticipate an active water-rescue season ahead.

With the grant the fire department purchased new rescue vests, protective helmets, truck and personnel lighting, first aid supplies and protective storage equipment.

As you plan to spend time on the water this season, they recommend checking with local guides for current water and environmental conditions. They are the experts and know the waterways better than most. Always prepare for self-evacuation by wearing protective clothing, shoes, sunscreen, and insect repellent. Secure reliable communication and remember there are many areas without service. Finally, know your location at all times, have a flashlight, and always let someone know your activity plan.

Members of Great Lakes Energy support the People Fund by voluntarily rounding up their bills to the next highest dollar. The rounded up amount is distributed to non-profit organizations and charitable activities that benefit people in communities served by the cooperative. Please contact Great Lakes Energy, 888-485-2537, or visit gtlakes.com for details.

2 DAYS ONLY HOT DEALS

Save a lot APR 30 - MAY 1 food stores

PORK SPARE RIBS \$1.49/lb

NAVEL ORANGES \$5.49 8 LB. BAG

EL MONTEREY BURRITOS \$2.99/ea 8 PACK

PO BOX 1914, GAYLORD, MI 49734-5914 • WWW.CHARLEVOIXCOUNTYNEWS.COM • (989) 732-8160 • OFFICE@CHARLEVOIXCOUNTYNEWS.COM



Standard Mail
US Postage
PAID
Gaylord, MI
Permit No. 70

EGRWSSS POSTAL CUSTOMER

News

ONLINE AT WWW.CHARLEVOIXCOUNTYNEWS.COM

weather forecast

THURSDAY



HIGH: 58
LOW: 36

FRIDAY



HIGH: 47
LOW: 31

SATURDAY



HIGH: 59
LOW: 49

SUNDAY



HIGH: 67
LOW: 46

MONDAY



HIGH: 60
LOW: 42

TUESDAY



HIGH: 59
LOW: 42

record temps

DAY	AVG LOW	AVG HIGH	RECORD LOW	RECORD HIGH
APR 29	.35°	..62°	...19° (1977)	..88° (1970)
APR 30	..35°	..62°	...19° (1956)	..87° (1970)
MAY 1	..36°	..63°	...22° (1963)	..85° (1951)
MAY 2	..36°	..63°	...21° (1990)	..83° (1951)
MAY 3	..36°	..64°	...21° (1967)	..87° (1955)
MAY 4	..36°	..64°	...21° (1967)	..87° (1955)
MAY 5	..37°	..65°	...22° (1958)	..86° (2000)
MAY 6	..37°	..65°	...18° (1968)	..86° (2000)
MAY 7	..37°	..66°	...20° (1968)	..87° (1986)
MAY 8	..38°	..66°	...21° (1950)	..84° (1965)

OBITUARIES

Merla "Sandy" (Mueller) Amesbury, 88

(JUNE 30, 1932 - DEC. 9, 2020)



Merla J. "Sandy" Amesbury of Boyne City passed away peacefully in her home on December 9th, 2020.

Daughter of Emil and Violet Mueller, Merla was born June 30, 1932 in Petoskey, Michigan where she was raised. She moved to Boyne City around 1962 and lived in

the same home for 59 years. Merla loved playing cards with her friends and family. She also loved taking walks, traveling, and watching the evening sunset.

Merla is survived by her children: Dennis (Janie) Amesbury, Kris (Doug) Leist, Michele (Bryce) Hewitt, and Kim (Amy) Amesbury; her grandchildren: Damien Leist, Stacy (Andrew) Bearss, Robert (Nancy) Hewitt, Ryan (Abby) Amesbury, Wade (Helen) Leist, Aimee (Jason) McCary, Jacob Amesbury, and Ryder Amesbury; her eleven great-grandchildren; and her siblings Karl (Lyla) Mueller and Loretta Gofourth.

Those wishing to make a charitable donation in Merla's memory are asked by family to consider Hospice of Petoskey or Cancer Crusaders.

A graveside service for Merla will be held 1:00 PM Saturday, May 8th at Maple Lawn Cemetery and a gather-

ing of family and friends will be held from 2:00 to 5:00 PM at the Boyne City Lanes following the graveside service.

Arrangements are in the care of Stackus Funeral Home

LTC Marvin W. Schwem, 86

(AUG. 24, 1934 - APRIL 24, 2021)



LTC Marvin W. Schwem passed away April 24th after a long illness.

He was born on August 24, 1934 the son of Joseph and Elizabeth Schwem and lived in the Detroit area until he joined the army in 1959, serving 20 years with 3 tours in Vietnam.

Marvin served in the army as a helicopter pilot and pilot instructor. It was his honor to fly two Presidents and numerous heads of state throughout his career.

After his retirement from the military he was the commander of the corps of students at the Soldiers and Sailors Orphan Home in Ohio, where orphans of veterans resided. He also spent 17 years as Director of Education at the Stationary Engineering Education Center. During this time he married his wife and best friend Marianne.

After his second retirement in 1993, he, his wife Marianne, and his son Andrew moved to his family's ranch in Boyne Falls to raise horses, cattle, sheep and chickens. In total, Marv had six children; Scott (Lisa), Kristen (John), Kevin (Brooke), Andrew, Todd and David, nine grandchildren, as well as several nieces and nephews. He was preceded in death by his father and mother, Joseph and Elizabeth, his stepmother Rosalia, and his brother Jack. He is survived by his sister Elizabeth (Libby) Gray.

A memorial service will be held on Saturday, May 22nd, at 11:00 AM with a luncheon to follow at Christ Lutheran Church in Boyne City, MI.

In lieu of flowers, contributions may be made to St. Jude's Children's Hospital or the Charlevoix Humane Society.

Kyle J. Kaminski, 53

(NOV. 27, 1967 - APRIL 19, 2021)



Kyle J. Kaminski of Boyne Falls died on Monday, April 19, 2021, in Petoskey.

He was born on November 27, 1967, in Grand Rapids, the son of Frank W. and Bonnie J. (Russell) Kaminski.

Kyle had worked for the Amway Corporation as a building and grounds keeper.

He is survived by a son, Cory J. Kaminski of Boyne Falls; a daughter, Ashli R. Kaminski of Boyne Falls; and one granddaughter, Alaina J. Reid of Boyne Falls.

No services are scheduled at this time.

The family was served by the Penzien Funeral Homes, Inc.

Christine Marie Kenney, 44

(SEPT. 29, 1976 - APRIL 23, 2021)



Christine Marie Kenney of East Jordan passed from this life on April 23, 2021 at home surrounded by her loving family.

Her family will remember and celebrate her life on Thursday, April 29th, 2021. The service will be held at Lighthouse Missionary Church in East Jordan and will be led by her uncle, Rev. David Behling. Visitation will take place the day of service from 11 a.m. to 1 p.m. with service beginning at 1 p.m. Interment will take place in Maple Lawn Cemetery in Boyne City at a later date.

If you knew Chris, you know what an amazing human she was. She was filled with kindness, generosity and love and spread it to everyone she met. Her laugh was contagious and she was incredibly lucky to have such extraordinary friendships!

Being a mother was Chris' greatest love and accomplishment. Her favorite moments were those spent hearing about hunting adventures, watching CSI together, cooking all his favorite foods and most recently watching him obtain his Builders License.

She was forever grateful she could experience the immense joy of becoming a grandmother, known as Brina. Nothing gave her more pleasure than spending time with them or looking for treasures to surprise them with. She will be their guardian angel from afar and walk them safely through life's journey.

Chris was born in Petoskey on September 29, 1976 to Robert and Margaret (Behling) Kenney. She grew up in East Jordan and graduated from East Jordan High School in 1994. Her favorite job was serving patrons at The Zone. Chris found her true passion fulfilled here serving her community and friends with a smile and laughter that made everyone feel welcome.

Chris is survived by her son, Trevor (Trisha Mullins) Kenney; significant other, Rex Bartholomew and children Rex and Aubree Bartholomew; her grandchildren, Trae, Taelynn, Robbie, Carter, Carson and Retta. Her

surviving siblings include, Katharine (Ron) Gates, Robert (Tawnya Roberts) Kenney, Cindy Burns, Joe (Tammy) Seese, Kevin (Amy) Russell, Tara (Tim) Weir and Tim (Tina) Russell. Father, Robert (Fran) Kenney; nieces Jasmine, Morgan, Jeddika, Caydence, Shalynn, Madison, Kaylee, Kendra, Kyleigh, Faith Ann, Riley and Rose; nephews Joey, Charles, Brenden, Keaton, Cody, Garrett and Wyatt.

She was preceded in death by her mother, Margaret Kenney, aunt, Martha Finnan; uncle, Bill Behling and Ray Behling; and by a cousin Miriam Behling.

Memorial contributions in Christine's memory may be directed to Spectrum Health Hospice of Grand Rapids, Michigan, 750 Fuller Ave NW, Grand Rapids, MI 49503.

Rena F. (Carpenter) Provost, 74

(SEPT. 15, 1946 - APRIL 21, 2021)



Rena Fae (Carpenter) Provost of East Jordan died Wednesday April 21, 2021, at Medilodge of GTC in Traverse City. She was born September 15, 1946 in Gladwin, Michigan.

Rena Fae Carpenter married James F. Provost June 6, 1996, in East Jordan.

Rena was the most amazing, talented, determined woman. She was a Registered traveling Nurse for many years, worked in insurance, went to college and got her associates degree, and she owned Rena's Tax Service for over 30 years. She loved socializing, playing cards, traveling, reading, and most important she loved her family and friends. Rena was always smiling and helping people out, the kind of woman that lite up a room. She has touched so many hearts and will be deeply missed.

Rena was survived by her husband, James F. Provost, of East Jordan; daughters, Rebecca Skrobasinski, of East Jordan, Robin (Jeff) Fuller, of Fenton; grandson, Tyler Adams; granddaughters, Alyse and Oliva Fuller; 5 great grandchildren; siblings, Penny (Tom) Brown of Harrison, Robert Carpenter of Coleman, Denise Sentz of Clare, Dennis Carpenter of Colorado Springs and Janet (Jim) Roman of Coleman. She will be remembered by her in-laws Pat Provost, Todd Provost, Mary Ann & Kay. Rena was preceded in death by her parents, Howard and Clara, and her brother, Butch.

A special thank you goes to Pat Provost, Scott and Laura Sentz, and Debbie from Comfort Keepers for their love and care of Rena in her last days.

The family will receive friends on Saturday, May 1, 2021, from 2:00 to 6:00 PM at the Lighthouse Missionary Church, East Jordan.

Due to COVID-19, the wear-

ing of masks and social distancing protocols will be strictly observed. Arrangements were handled by the Penzien Funeral Homes, Inc., East Jordan.

Anna Mae Elliot, 93

(SEPT. 26, 1927 - APRIL 26, 2021)

Anna Mae Elliot passed away April 26, 2021 at the Munson Hospice House in Traverse City.

No services are planned at this time.

Loretta May Towsley, 77

(AUG. 17, 1943 - APRIL 24, 2021)



Loretta May Towsley of Charlevoix passed away Saturday, April 24, 2021, at home, surrounded by her family. Loretta was born August 17, 1943 in Clarion "Melrose" Michigan to parents Lou and Eva Drost.

Loretta enjoyed spending quality time with her friends and family. She was an avid baker who specialized in cinnamon rolls. Loretta loved nature, travel and adventure, in the United States and abroad. She was a Sunday school teacher at the Assembly of God Church for many years. Currently Loretta belonged to the Freedom House Ministries, which has also been a very important part of her life. On October 6, 1962 in Charlevoix, Loretta married Al Towsley, where they raised their family on Loeb road.

Loretta is survived by her husband of 58 years, Al, daughter Julie Mervyn, son James (Jackie) Towsley. Grandchildren Dustin Mervyn, Brittany Mervyn, and Calvin Towsley, great-grandchildren Michael Mervyn and Elizabeth Pickard. Brother Danny (Sandy) Drost, sisters Bonnie (Charlie) Elzinga, and Sonja (Louis) Raymond, sister-in-law Marilee Drost, brother-in-law Roger (Betty) Towsley and Larry Edison, as well as many loving nieces and nephews. Loretta was preceded in death by her parents, Lou and Eva Drost, brother Wayne "Bud" Drost, her nephew Mike Drost, her in-laws Harold and Mary Towsley, sister-in-law Vera Edison and brother-in-law Stanley Towsley.

Memorial Services will take place at a later date, service information will be made public when available.

In lieu of flowers memorial donations can be directed to HOLT/Petoskey Hospice, 761 Lafayette Ave., Cheboygan, MI 49721.

Arrangements are in the care of the Winchester Chapel of Mortensen Funeral Homes. Sign her online guestbook www.mortensenfuneral-homes.com

Charlevoix County News

VOLUME 12 ISSUE 45

E-Mail News Releases and Announcements to Office@CharlevoixCountyNews.com

MICHIGAN MEDIA INC.
PO BOX 1914, GAYLORD, MI 49734-5914
PHONE 989-732-8160 • FAX: 888-854-7441

The Charlevoix County News is published weekly on Thursdays.
Published by Michigan Media, Inc., PO Box 1914, Gaylord, Michigan 49734.

POSTMASTER: Send address changes to Charlevoix County News, PO BOX 1914, GAYLORD, MI 49734-5914

Distributed to Boyne City, East Jordan, Charlevoix, Boyne Falls, Walloon Lake, Ellsworth and Atwood.
Available on News Stands: 75 cents a copy.

Subscriptions:
Local Home Delivery of the News: **\$55.00/year.**
Out-of-County Delivery of the News: **\$75.00/year.**
(Local area includes Boyne City, Boyne Falls, Charlevoix, East Jordan, Ellsworth, Petoskey, Gaylord)

ADVERTISING DEADLINE MONDAYS AT NOON
Place Classified ads on-line at www.CharlevoixCountyNews.com
25 cents/word, \$2 minimum.
Office: 989-732-8160

Notice to Readers: Typically, most advertising is honest and clear about special offers, however, please be sure to read the contents thoroughly to avoid misrepresentation. Michigan Media does not warrant the accuracy or reliability of content and does not accept any liability for injuries or dam ages caused to the reader or advertiser that may result from content contained in this publication. Errors in advertising should be reported immediately. Dam age from errors will not exceed the cost of the advertisement for one issue. Michigan Media, Inc. reserves the right to publish or refuse ads at their discretion.

<p>Publisher DAVE BARAGREY I Office@CharlevoixCountyNews.com</p> <p>Editor JIM AKANS News@CharlevoixCountyNews.com</p> <p>Office CATHY BARAGREY CB@WeeklyChoice.com</p> <p>Sports Reporters DOMINIC SANTINA Dom@CharlevoixCountyNews.com</p> <p>MIKE DUNN Mike@WeeklyChoice.com</p> <p>News Reporters KAREN WALKER kwalkerphoto@gmail.com</p> <p>TINA SUNDELIUS tina@charlevoixcountynews.com</p>	<p>Advertising Sales SHERRY KILBOURN shersk1942@gmail.com Cell 231-645-6414</p> <p>PAUL PANOSSO paul@weeklychoice.com</p> <p>NICK MASSALAS nick@weeklychoice.com</p> <p>JEFF JOHNSON jeff@weeklychoice.com</p> <p>Photographers JODELL DANBERT CHRIS FIEL</p> <p>Distribution JEFF BARAGREY Jeff@WeeklyChoice.com</p> <p>Website Administrator CHAD BARAGREY</p>
--	--

Jennifer Burr
REALTOR®

231-675-0157
Jennifer.Burr@CBGreatLakes.com
www.JenniferBurr.com

Jennifer Burr
Group

COLDWELL BANKER
SCHMIDT REALTORS

The average home sale price in Charlevoix County is **up \$34,500** over last year YTD!!!

Ready to find out what your home is worth?

Give me a call today!

231 E Water St | Boyne City, MI 49712 | Each Office is Independently Owned and Operated.

News

ONLINE AT WWW.CHARLEVOIXCOUNTYNEWS.COM

Ellsworth Pig Roast recognizing those that have gone before

BY TINA SUNDELIUS

ELLSWORTH - Back in 1981 a group of Ellsworth residents decided that reviving some of the community's old traditions was a good way to celebrate the recent renovation of one of the village's most prominent buildings. So, they created a festival intended to celebrate those who lived, worked and played in Ellsworth and the surrounding area. Unlike other festivals that aimed to draw others in, the Ellsworth Pig Roast was a resurrection of the Ox Roast and Chicken BBQs of the past while showcasing the newly renovated building. Just like the old days when travel was hard and scarce the Pig Roast was and still is a celebration of "us." Hosted by residents, implemented by residents. It has grown and provided a base of memories for 3 generations.

Gerald Kunde, Howard Best, Mary Peterson, Rusty McIntosh, Helen Howes, Mary Willett, Ken Willett, John Hastings, Jerry Alward, Joni Wieland and Donna Heeres first took an interest in the beautiful township hall that decorates Ellsworth's downtown, renovating the upstairs. That project was a precursor to the first Pig Roast in that it kindled community pride in the people that hauled stones to build the building and the rural lifestyle they lived.

This group of residents has shrunk, changed, evolved, and traded hats but hosted a roasted pig dinner, various activities for the children, a parade and horse pull annually for 40 years. Some years included events like a 5K run or obstacle course but every year everything has been free, with as discounted price as possible for the meal.

The meal too, is a home-spun achievement. The pig roasters were built by a crew that included Chet Drenth, Gerald Kunde, Rusty McIntosh and Dave Heeres and the pigs have annually been roasted by a group of residents. Veteran Roaster, Tom Cooper, has been involved with this most important aspect of the festival since he was in high school, 30 plus years ago. His crew has changed a bit over the years but Barney Drenth, Todd Esenberg, Dillon Sommer, Amy Russell and Kevin Russell have put countless hours into making a perfectly roasted pulled pork.

Hud Drenth has organized the horse pull for 39 of the

festival's 40 years. He stepped up to the task in 1982 and has continued recruiting the finest teams, fundraising to offer bigger prizes and basically put on a great show. But he couldn't do it if it weren't for his little brother, Tex, who sets the whole thing up, and that's a lot of work!

The volunteer fire department are already lights during the storms of life just by the nature of what they do, but above and beyond they provide support for the parade and 5K-run by blocking off roads and strategically placing firemen to divert traffic and basically insure the events are safe. And then there is the waterslide...500 feet of slippery fun set up and realized by these young-at-heart heroes. It's the highlight of the festival for the kids (and some adults).

Of course, the local businesses sell Pig Roast t-shirts, raffle tickets and distribute brochures containing the schedule of events. The churches donate and set up/take down the tables and chairs, the ladies groups prepare homemade desserts. The Pig Roast logo is selected from designs submitted by the ECS graphic design class and the school sends student volunteers to help out with various events and participates in many others. No project can move smoothly without knowledgeable troubleshooters like Jerry Rasmussen and Dave Heeres, these are the people to call if something needs to be fixed, moved, invented, hammered, built, raised, rerouted, etc. And something always does.

People and businesses from throughout this very small community is involved in the success of this local festival.

This year is going to be a little different because of the pandemic, so recognizing the people that have gone before and made something big from someplace so little is the theme of the 2021 Pig Roast. So much elbow grease and cooperation can't go unrecognized. Bring your kayak to Lake Ellsworth on June 19 and "Paddle Through Time" with us pandemic style. There will be demonstrations, an organized flat-water paddle, activities for the kids, a pulled pork meal, a parade, horse pull, music, waterslide, and many, many smiling faces (behind masks).

Fishing Day at Johnson's Pond in Mancelona



ABOVE: Devin Campbell, 9, of East Jordan gets some fishing tips from his little sister, Saydee, 5, at Johnson's Pond in Mancelona Saturday, the opening day of trout fishing season. Wearing sunglasses, Saydee was able to see trout swimming around in the water. Although it was a quiet opener in Mancelona, the children had fun fishing and with their parents and friends. Fishing at Johnson's Pond is open year-around for kids ages 14 and under.



LEFT: A fairly quiet opening day of trout season at Johnson's Pond in Mancelona Saturday, where parents brought their kids to catch trout. Fishing Day is sponsored annually by the Village of Mancelona, and made possible by Jordan River Baby Brookies program. The pond is open year around for children, ages 14 and under, for fishing. Photos by Joanie Moore

Boyer City Commission Nomination Results

There are three City Commission seats up for election in November. Completed, nominating petitions for candidates were due on April 20th by 4 p.m.

After official review of the submitted petitions, it has been determined that seven individuals were successfully nominated to run for election. With having more than six candidates, the City will hold a primary election on Tuesday, August 3, 2021.

The nominees who will be on the primary ballot (listed in alphabetical order) are as follows:

Ronald J. Grunch



Joseph Schlegel



Ron Grunch



Marty Moody



Timothy Nemecek

George Robert Lasater
Marty Moody
Timothy James Nemecek
Sally L. Page
Joseph Schlegel
Dean Ross Solomon
The general election,

which will decide the three candidates who will serve, is Tuesday, November 2, 2021. Each seat is a four year term.
Additional election information will be released as it

becomes available. Questions or comments may be directed to City Clerk/Treasurer Caroline Kennedy (231)582.0334 or ckennedy@boynecity.com.

Dream To Gallery Talks At Charlevoix Circle Of Arts

Charlevoix, MI, April 26, 2021—

The Charlevoix Circle of Arts' current exhibit showcases author and artist Kim Richelle's body of work titled, Dream to Reality, Exploring What We Believe and Why from April 23 to May 29, 2021. In addition to Richelle's expansive work on display, Charlevoix Circle of Arts is hosting Gallery Talks each Thursday at noon during the exhibit. Richelle and invited guest speakers will explore variations of reality, dreams and beliefs, from tarot mythology and symbolism to local Indigenous history and teachings, to star lore, constellations and planets.

SCHEDULE OF GALLERY TALKS:

— THURSDAY, APRIL 29, 2021, NOON - 1PM

With KIM RICHELLE: Earliest Mythology & Symbolism.

Kim explores human mythology and symbolism from earliest cave art, jewelry, burial practices and how the same practices are shared throughout indigenous peoples and cultures from the Norse and Celtic to the Native Americans. She walks visitors through the wheel of the elements and directions and astrological observations. Books and prints will be available for purchase and signing.

— THURSDAY, MAY 6, 2021, NOON - 1PM

With KIM RICHELLE: Journey of the Fool.

Kim brings visitors through the Journey of the Fool, the tarot display while discussing the subconscious explored through the historic symbolism of the tarot deck. Books and prints will be available for purchase and signing.



The Charlevoix Circle of Arts' current exhibit showcases author and artist Kim Richelle's body of work titled, Dream to Reality, Exploring What We Believe and Why from April 23 to May 29, 2021.



Mary Stewart Adams, Star Lore Historian and host of the weekly public radio segment and podcast "The Storyteller's Night Sky."

—THURSDAY, MAY 13, 2021, NOON - 1PM

With Sandy Witherpoon, local resident and member of the Odawa tribe, Sandy McSauba, di-

rect descendant of Chief Louis McSauba, and Yvonne Walker Keshick, renowned quilt artist and National Heritage Fellow. The stories of the tribes, families, customs and art of those who lived and

care for local lands and water for thousands of years will be shared by three local Odawa women.

— THURSDAY, MAY 20, 2021, NOON - 1PM

With Mary Stewart Adams, Star Lore Historian and host of the weekly public radio segment and podcast "The Storyteller's Night Sky," designed to restore the mythic grandeur of knowing the stars. Mary leads audiences in the delightful connection between the night sky and the cultural arts such as nursery rhymes, fairy tales and mythologies. Mary will discuss her new book, Star Tales of Mother Goose, which is designed to awaken the imagination in relationship to the stars as a companion to the science of astronomy. It is wonderfully illustrated by her sister and collaborator, Patricia DeLisa. In 2011, Mary led the team that established the 9th International Dark Sky Park in the world near Mackinac Bridge. Star Tales will be available for purchase and signing.

— THURSDAY, MAY 27, 2021, NOON - 1PM

With Kim Richelle. Kim summarizes the experience of the dream merging with reality as examined and expressed through art and writing. She reinforces the value of continuing the quest to live lives as aware and awake and as consciously, exuberantly possible. Books and prints will be available for purchase and signing.

Gallery Talks are free and open to the public. Event capacity is limited and pre-registration is recommended. Call 231-547-3554 or visit www.charlevoixcircle.org for details and registration.

ELECTION. FROM PG. 1

mill.

Additionally, Blue Lake Township will vote on a Fire Millage Proposal which will replace the expired 2020 levy. The new proposal would levy 1.8 mill for 5 years for funding fire protection and rescue services.

Garfield Township will vote on a separate Fire Protection Millage Renewal of 1 mill for 3 years. These funds will allow for operating, maintaining and equipping a fire department to provide fire protection.

MONTMORENCY COUNTY

Albert and Vienna Townships in Montmorency County will vote on the multi-district 1special education initiative.

OSCODA COUNTY

Greenwood Township will have the 1Cheboygan-Otsego-Presque Isle special education measure on their ballots.

OTSEGO COUNTY

Gaylord City, along with Bagley, Charlton, Chester, Corwith, Dover, Elmira, Hayes, Livingston & Otsego Lake Townships will vote on the 1special education proposal as well as the Otsego County Justice Center proposal. The latter is a new 20 year levy

(through 2040) of 1.95 mills to construct operate and equip a brand new justice center that will house the sheriff's office, prosecuting attorney, courts, judges and of course a jail.

Gaylord City, Bagley, Chester, Dover, Elmira, Hayes, Livingston and Otsego Lake Townships will also vote on the 2Gaylord Public Schools proposal.

PRESQUE ISLE COUNTY

In Presque Isle; Rogers City and Onaway City, as well as the townships of Allis, Bearinger, Belknap, Bismarck, Case, Krakow, Metz, Moltke, North Allis, Ocqueoc, Posen, Pulawski and Rogers will all be voting on the 1Cheboygan-Otsego-Presque Isle special education proposal.

1 - The Cheboygan-Otsego-Presque Isle special education renewal proposal will levy a .6418 mill increase for 6 years to continue to provide funds for the education of disabled students

2 - The Gaylord Community Schools sinking fund proposal will increase the current millage by 1.6 mills for 5 years to create a fund for the construction and repair of facilities, security improvements and upgrading of technology

*1 mill = \$1 taxed per \$1,000 of assessed taxable value
Remember to vote May 4th, your voice matters to your community!

BC BLAZE ROBOTICS WINS A 2021 DISTRICT CHAIRMAN'S AWARD

Through these trying times, Boyne City Robotics is still "Blazing" on in FIRST Robotics's 2021 continuation of INFINITE RECHARGE, a new INNOVATIONS CHALLENGE, and AWARDS submissions.

BC Blaze was announced as one of this year's FIRST in Michigan's District Chairman's Award Winners and is moving on to compete at the State level. This award is the team's fourth District Chairman's Award in the five years the team has competed for this award. The Chairman's Award is the most prestigious award at FIRST, it honors the team that best represents a model for other teams to emulate and best embodies the mission of FIRST.

This year's INFINITE RECHARGE at HOME goes back to the grassroots of robotics with driving and shooting. Through virtual submissions that include stats and videos, BC Blaze engaged in all 5 of FIRST's skills challenges. Two challenges were devoted to the maneuvering of their robot through various obstacle courses, both person-driven and done autonomously. Two



BC Blaze Chairman's Presentation Team: Max Bishop, Lizzi McHugh, Savannah Leaver. Courtesy photo

more challenges involved testing both the accuracy and sheer volume that their robot's shooter was capable of. Lastly, the fifth challenge had their robot navigate a randomly chosen course col-

lecting and transporting balls. These events are all currently being judged, and results will arrive sometime in May.

Finally, new to 2021, BC Blaze participated in FIRST's

new project: the Innovation Challenge. Their goal was to develop a new innovation with STEAM skills and make a difference for a community. Blaze decided to help their local district by partnering

with Beacon Therapies to create work assisted technology.

Boyne City Blaze is a 30-member strong team that has been operating for 10 years. They annually host a

kick-off for surrounding teams and have become a helping hand for Robotics teams all around Northern Michigan. All of this is possible with the help of parents, teachers, mentors, students, and the community. A special shout out to Blaze and Blue level sponsors, who contributed \$1000 or more to the team over the last two seasons:

- Rotary Club of Boyne City
- Kiwanis Club of Boyne City
- Boyne City Booster Foundation
- Bert & Vickie Steck
- Boyne City Hardware
- ACE
- VAN DAM Boats
- Charlevoix County Community Foundation
- MAGNA Lexamar Corporation
- Industrial Magnetics, Inc
- Bulmann Dock & Lift

If you or your business would be interested in sponsoring, contributing to, or volunteering for BC Blaze, contact bcblaze@boyne.k12.mi.us or Karen Jarema at 231.439.8100

EJ Middle School Shoe Club raises \$70,000 for Solar Array

BY DAVE BARAGREY

How did this middle school club arrive at achieving such a large goal?

"When you are starting a project, setting a goal, the higher you reach, the more you are bound to fail along the way. And not everyone believes in what you are trying to do. And it does take drive and perseverance to find those people who will believe in you till the end. What we're finding is more and more of those people who believe."

That's Nathan Newman speaking, a senior at East Jordan Public Schools. He's talking about this important lesson from life because it relates to a bold project he's helping the middle-schoolers' Shoe Club with: planning, fundraising for, and installing a \$70,000 solar array on the school's roof—by Earth Day, April 22, 2021!

A project of that magnitude would be ambitious for even a large high school to take on, but East Jordan is small, with just 60 to 70 students per grade, and the club driving it is made up of middle schoolers—12- to 14-year-olds—with just a few high schoolers pitching in as advisers. "The project is the most ambitious student-driven project in the school's history," says Matt Hamilton, the history teacher who founded the Shoe Club back in 2008, and who still coaches the club today.

To understand what gave rise to East Jordan's solar array project, you first have to understand what gave rise to the Shoe Club. Hamilton began the club after the unexpected deaths of two students within a month of each other. "It was a very dark and sad time," Hamilton says—a feeling no doubt amplified as the nation was staggered by the early months of the Great Recession.

To help the students find a way forward, the school brought in a motivational speaker to talk to an assembly of high school and middle school students. "He had a bag of shoes. And he'd pull

out a pair of shoes and tell a story about the person who'd worn those shoes," Hamilton says. One story he recalls told of a girl who had a basketball scholarship, and her life seemed perfect to everybody who knew her, but unknown to all, she was cutting herself. Eventually she found hope and a solution. "The stories were all so powerful, I had to try so hard not to cry," Hamilton says.

The next day, every class wanted to talk about the shoes. And for the next couple of weeks, so many kids approached Hamilton. They all said the same thing. "Can I talk with you? Can I talk with you? Can I talk with you?" Before school, at lunch, after school, Hamilton heard kids share the stuff of their lives and seek connection. He thought of those shoes, of how they represented life's journey. He formed the Shoe Club, and each year the student members would dream big, set goals, work hard and give back. The core mission: teaching students to value themselves and to value others.

One year, the club sent a shoe up 100,000 feet in a weather balloon they built. Another year they partnered with the Michigan Department of Natural Resources and used an underwater ROV to explore a reef in Harbor Springs, and the DNR used in the study results in an official assessment. The club has also organized gatherings like dances and cooking classes. And they collect shoes from famous people who have had great journeys of their own—people who set goals and overcame obstacles.

This year, with the pandemic, the students needed a big project that didn't involve people gathering in person. Hamilton happened to see a video in which Glen Lake High School science teacher Karen Richard talked about a student-led solar array installation there, which Groundwork assisted with. Hamilton thought, Solar Array, that's it!

As Hamilton began talking with the students and with the Groundwork team, the scope of the project kept growing. It began as a single solar panel on the roof, then

became a 10KW project like Glen Lake's, then students doubled that goal to a 20KW project. Then they bumped it up again, to 30KW. "It goes to show if we dream big and set goals, what great things we can do," says 8th grader Chandler Haney. "We realized that we had to go big or go home. We decided to go really big."

The students quickly set about making the case for potential funders. They created a Powerpoint presentation, with help from student advisers like Nathan and Hamilton's 10th grade daughter, Mailey, they shot and edited a video. Every student had to train to present a piece of the Powerpoint, and the students would take turns making their case in front of different groups, like the Rotary Club and the school board. (Hamilton believes that presentation skills are an essential part of life.)

As the students thought through the array's benefits, the pillar strengths emerged: Education: The students would find and help develop curriculum about clean energy and solar arrays, and the curriculum would be used in all grades.

Career training: The solar array would inspire interest in and knowledge of the clean energy technology that will create tens of thousands of jobs as it transforms America's power grid in these students' lifetimes.

School budget: The solar array will decrease the school's energy expense by approximately \$4,400 each year.

Environment: The school's carbon footprint will shrink by 1.5 million pounds over the life of the array.

Community: The project will inspire others to more rapidly transition to clean energy.

The students have already raised \$42,000 for the solar array and intend to raise the remainder by mid-March—with all eyes on that Earth Day installation goal. To make giving easy, the Shoe Club is using a GoFundMe crowdsourcing site. On March 9, the annual Bowl-A-Thon will happen, injecting a big boost to giving as the drive heads into the final week. With help from Hamil-

ton's wife, Stacey, the students have also been applying for grants from local and statewide foundations and continuing to present at organization meetings.

And meanwhile, the middle-schoolers are moving ahead undaunted. "This is East Jordan. It's such a small town that people know each other and they trust each other," says 7th grader Rylan McVannel. "We support each other, and when word gets out there, there will be more questions and more presentations. And, no doubt about it, we will meet the goal."

Jeff Smith, communications director, Groundwork

ABOUT THE SHOE CLUB

What started out as a small initiative by teacher Matt Hamilton, has now become an organization that is known nationwide. We have been featured in many news reports, magazine TV shows, and news articles, featuring the very mission that we have, and of course, our growing collection of shoes donated by athletes, innovators, celebrities, and some of the world's most incredible minds.

Shoe Club is about creating a culture within our students to become productive members of society. They will do this by first setting goals that they want to achieve for themselves. When they have an innate value for themselves, when they realize their strengths, they are able to take pride in what they can do and what they can achieve. When they value themselves, they are better able to value others, and thus, creating a culture of confidence, self-worth, and teamwork.

Shoe Club is more than just about shoes, it's about giving our kids the opportunity to showcase who they are. When they are given an avenue to nurture their skills, they become more confident to face the world, and thus, become more confident to contribute to the general society.



Boyne Falls Public Schools STUDENT OF THE WEEK



Abbigail Zalewski

Grade: 2nd

Parent's Name(s): Nina and Joe Zalewski

What do you want to be when you grow up?: Abbi wants to be a dog trainer when she is older.

Favorite Book: An informational book about pandas

Hobbies and Interests: At home, Abbi likes to read books and ride her scooter.

School Activities: At school, she likes gym and science.

Staff Comments: Abbi has been a great addition to our second grade classroom! She comes to school with a positive attitude and always puts her best effort into her work. Abbi is kind and polite and a great friend to everyone. She follows the Logger Agreement in the classroom and on the playground. Abbi is a great role model and I am so happy to have her in my class!

Submitted By: Ms. Pedigo

For LOW Cost Advertising with BIG Results

...advertise in the

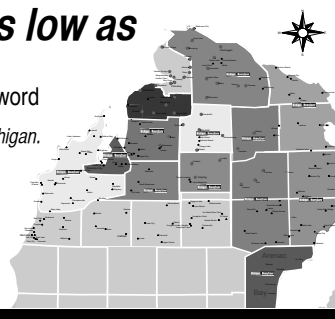
Michigan MoneySaver

Classified ads as low as

\$2.00 10 word ad.
25¢ per addl. word

Advertisers, Reach all of Northern Michigan.
From Traverse City to Tawas City...
From Mackinaw City to Bay City.

Contact Dave Baragrey
989-732-8160
Office@WeeklyChoice.com



Char-Em ISD recognized with Excellence in Practice award

Nearly two years ago, the Charlevoix-Emmet Intermediate School District began a program recognizing the achievements of students who took career tech courses in high school and used those skills to enter the workforce after graduation. These "Career Tech to Careers" signing events have since taken off, and numerous events have been held celebrating these young adults and their successful transition into careers.

Not only is the program gaining local recognition, but statewide accolades as well. The Michigan Department of Education's Office of Career and Technical Education recently awarded Career Tech to Careers with a 2021 Excellence in Practice Awards in the Career and College Readiness Initiative category. Each year the state Office of Career and Technical Education recognizes excellence in career and technical education programming in

Michigan's schools and ISDs. "Your programs exemplify the highest standards in preparing Michigan's students for postsecondary education and careers," said Brian L. Pyles, Director, Office of Career and Technical Education for MDE. "You should be very proud of this significant achievement. I commend you for your valuable contribution and your vision, expertise and teamwork in creating and sustaining such an exemplary

practice in career education." Jim Rummer, Director of Career and Technical Education for Char-Em ISD, said the signing events have been an exciting program to see grow. They are modeled after athletic-type signing events, where high school athletes are often pictured signing letters of intent to play sports at a college or university. At the Career Tech to Careers signing events, bright backdrops accompany the newly hired

worker who is pictured with company management, high school staff and often their parents – all celebrating the young adult's success in entering the workforce in a meaningful employment opportunity. "This initiative in particular has been so rewarding for everyone involved, and especially the young adult and their families. It's important to recognize the successes of all our students, from those who go on to pursue higher education and those who commit to the workforce and often fill roles necessary for the functioning of our community, like the lineworker program," Rummer noted.

Char-Em ISD and Boyne City Public Schools were also recognized with an Excellence in Practice Award, Career and Technical Education Outstanding Program, for the Energy Fundamentals: Lineworker Emphasis program housed at Boyne City High School (see media release at

www.charemid.org). Jeff Crouse, Char-Em ISD superintendent, expressed his congratulations to the hard work of the CTE staff in continuing to pursue programming and initiatives that directly benefit students. "We continue to grow our opportunities for kids, and at the end of the day that is what these awards recognize – Char-Em's commitment to our students and their futures," Crouse said.

Char-Em ISD and its partner districts offer 18 different Career and Technical Education courses across all 11 public school districts in the ISD. Students from any high school can attend any career tech program at any district. To learn more about the CTE programs and to also visit the students and businesses who have been recognized as part of the Career Tech to Careers features, visit www.charemid.org.



Pictured celebrating Harbor Springs High School graduate Ryan MacGregor's signing event On Aug. 2, 2019, are (front row, from left) Jim Rummer, Char-Em ISD Career and Technical Education Director; Ryan MacGregor; Adam Hausler, Harbor Springs High School automotive teacher; Wayne Peterson, service leader; (back row, from left) Tory Thrush, Char-Em ISD job coach; Beverly Osetek, Char-Em ISD Board of Education member; Becky and Marty MacGregor, parents of Ryan; Aaron Hughey, assistant automotive class teacher; David Lesh, director of service; Mike Hutto, yard manager; Madeline Walstrom; and Brenda Andrews, accounts payable/HR at Walstrom.

Applied Suicide Intervention Skills Training (ASIST) Class

ASIST is a two-day interactive workshop in suicide first-aid. 2-day ASIST training at the Shanty Creek Resort Conference Center is located at 5780 Shanty Creek Road, Bellaire.

The event is scheduled for May 19th and 20th from 8:15-4:30, with BOTH FULL DAYS REQUIRED. **If there times you know you won't be able to give your full attention (scheduled meetings, appointments, etc) perhaps you'll need to look for a later course.

ASIST teaches participants to recognize when someone may be at risk of suicide and work with them to create a plan that will support their immediate safety. Although ASIST is widely used by healthcare providers, participants don't need any formal training to attend the workshop—ASIST can be learned and used by anyone.

In the course of the two-day workshop, ASIST participants learn to:

- Understand the ways personal and societal attitudes affect views on suicide and interventions
- Provide guidance and suicide first-aid to a person at risk in ways that meet their individual safety needs
- Identify the key elements of an effective suicide safety plan and the actions required to implement it
- Appreciate the value of improving and integrating suicide prevention resources in the community at large
- Recognize other important aspects of suicide prevention including life-promotion and self-care

This training is made possible at no charge to you by Bellaire Family Health Center.

All materials and meals will be provided. A full

breakfast will be served each day at 8 am; you can opt of breakfast each day if you choose. You will select from three options for Day 1; Lasagna Bolognese is being served for Day 2. IF you have specific dietary requirements, please bring your own meals and snacks. Dress in layers to allow for comfort!

For COVID protocols:

- Shanty Creek requires you to wear a mask into the building, unless you have a health condition that prohibits it
- Your temperature will be taken and you will be asked to fill-out a quick COVID questionnaire each morning
- The trainers will be wearing masks a/o face shields; participants will be asked to do the same; we will have face shields available—we feel these will make it easier to hear and see facial expression
- Physical 6 foot spacing will apply throughout the training. We have limited the number of participants for this training to ensure proper spacing.
- If you are not comfortable with these safety measures, or have a temperature, cough, sore throat, difficulty breathing, etc., we'll ask you to reschedule to a later class.

Kiersten's Ride is the organizer of Applied Suicide Intervention Skills Training (ASIST) Class, Bellaire. Kiersten's Ride is a 501(c)(3) nonprofit organization dedicated to bringing help, hope, and healing through suicide prevention programs in Northern Lower Michigan. We are committed to raising awareness in our community so that future acts of suicide may be prevented. We are committed to educating the communities so that lives may be saved.

COURT CASES

Man Sentenced to Prison for Sexually Assaulting Two Children

Matthew John Dietz, 42, Alpena, was sentenced to serve 70 months to 15 years in prison on two counts of Criminal Sexual Conduct, Second Degree.

Dietz had pleaded guilty to these charges as well as two counts of Accosting a Child for an Immoral Purpose on February 24, 2021.

According to a police affidavit filed in the case, Dietz kissed and groped two children, ages 9 and 10, in Hayes Township in September of 2018. When the police attempted to interview Dietz, he stole a car and fled the area.

After the FBI posted a reward for information on Dietz's whereabouts, the Michigan State Police Fugitive Team, responding to a tip, arrested Dietz in Alpena in April of 2020.

Dietz was sentenced to sentences of 30 months to four years on the accosting charges. All of the sentences will run concurrently.

He is also required to register as a sex offender and to electronic monitoring, both

for life. "As Judge (Roy C.) Hayes said in imposing sentence, crimes against children are the most heinous," Charlevoix County Prosecuting Attorney Allen Telgenhof said. "These brave children immediately spoke up about what the defendant had done to them. He will not only be in prison, but will be registered and monitored for the rest of his life."

The crime was investigated by Detective Cody Wheat of the Charlevoix County Sheriff's Office and was prosecuted by Charlevoix County Assistant Prosecuting Attorney Mary Farrell.

Charlevoix Man Sentenced to Prison for Possessing Methamphetamine Components

Nicolas Jeffery Kerr, 33, Charlevoix, was sentenced to serve 36 to 120 months in prison today in the 33rd Circuit Court following his conviction for possession of methamphetamine, as a habitual offender, 4th.

Kerr was originally charged with owning or possessing a chemical or labora-

tory equipment used to manufacture methamphetamine. In his plea hearing, Kerr acknowledged under oath that chemicals and equipment found in a duffel bag behind a local store in the City of Charlevoix belonged to him.

Though Kerr has served nearly a year in jail on this charge, he will receive no jail credit because he was on parole at the time of the offense due to a prior felony drug conviction.

According to a police affidavit filed in the matter, police were called to the location on March 1, 2019, and discovered a bag containing methamphetamine components including lithium batteries, a battery cutter, buprenorphine (Sudafed) and chemicals.

Police were told that the bag belonged to Kerr and in a recorded interview with police, Kerr discussed the items in the bag and how he utilized them to make methamphetamine.

"I want to thank the officers from the City of Charlevoix Police and Fire Departments as well as the Michigan State Police 7th District Clandestine Lab Response Team, who responded to the dangerous scene," Telgenhof said. "The manufacture of methamphetamine is very dangerous and these officers defused a potentially hazardous situation."

The case was investigated by the Charlevoix City Police Department with assistance from the Charlevoix County

Charlevoix Woman Arrested For Owi Third Offense

EMMET COUNTY, MI. On Thursday, April 22, 2021

at approximately 12:40 a.m. troopers from the Michigan State Police (MSP) Gaylord Post stopped a vehicle for failure to stop at a stop sign on Resort Pike Road and US-31 in Resort Township. The driver, 59-year-old Liane Marion Humphrey from Charlevoix, displayed signs of intoxication. Sobriety tests were administered, and she was placed under arrest and lodged in the Emmet County Jail.

Humphrey was arraigned today in the 90th District Court in Emmet County for one count Felony Operating While Intoxicated Third Offense. Her bond was set at \$10,000 cash surety. Humphrey's next scheduled court appearance is on May 12, 2021.



BOYNE CITY POLICE DEPARTMENT INCIDENT REPORT

Monday, April 5, 2021
 1400 Report of indecent exposure in the 400 block of Vogel St.
 1319 Assist Sheriff Dept. on M-75 S.
 1601 Arrested subject at Veterans Park for disturbing the peace.
 1828 MDOP at Veterans Park pavilion.
 1900 Private property damage crash in the 400 block of N Lake St
 2022 Vehicle unlock in the 500 block of N Lake St
 2226 Arrested subject for outstanding warrants.

Tuesday, April 6, 2021

0557 Report of a counterfeit bill that was received in the 1300 block of Boyne Av.
 0835 MDOP to vehicle in the 400 block of Hemlock St.
 1221 Report of altercation on Water St
 1535 Report of suspicious subject at Boyne Av and high St.
 1700 Report of dirt bikes riding around Rotary Park and up and down Call St. and behind the Brook.
 2154 Assisted Sheriff Dept. on State St.
 2200 Assisted Sheriff Dept. on Church Rd.
 2230 Driving violation re-

ported on S Lake.
 2243 Suspicious situation reported in the 300 block of S Park.

Wednesday, April 7, 2021

1053 Juvenile complaint from the 1000 block of Boyne Av.
 1615 Report of Amazon phone scam.
 1738 Alarm in the 100 block of E Water St.
 1815 Juvenile complaint in Veteran's Park
 2030 Assist Sheriff Dept. on M-75 N and Old State
 2300 Arrested subject for OUID/OUIL, DWLS and outstanding

warrant at Marshall and Anderson Rd

Thursday, April 8, 2021

0820 Report of lost laptop
 1038 Threats complaint reported at the PD
 1550 Civil reported at the PD
 1934 Alarm in the 300 block of N Lake St
 2113 Welfare check requested in the 200 block of S. Lake St
 2124 Report of an unknown fire in the area of Vogel and Jefferson.
 2130 Report of suspicious subject in the 200 block of S Lake St.

Friday, April 9, 2021

1023 Burn permit issued in the 1100 block of Lakeshore.
 1117 Noise complaint received from Harborage Park
 1134 Vehicle unlock at in the 600 block of W. Court St.
 1729 Property damage crash at Park St. and Water St.
 1837 Juvenile complaint in Veteran's Park.
 2230 Suspicious subject at river mouth restrooms
 2358 Suspicious vehicle on State St

Saturday, April 10, 2021

0620 Driving complaint on Boyne Ave near Industrial Park.
 1015 Road hazard at Park and Court St.
 1245 Assist EMS with in the 500 block of N. East St.
 1616 Citation issued for speed at W. Michigan/John St.
 1745 Hit and run crash at North St in front of City Hall.
 1849 Assist EMS in the 700 block of Wenonah
 1930 Juvenile complaint in the 300 block of E Division St.
 2054 Assist Sheriff Dept. on M-75 S

LEGENDS Auto Glass
I DRIVE TO YOU!
 • Free Mobile Service • Insurance Work
 • Repair or Replace • All Makes & Models
 Troy LaCount • Owner N.G.A. Master Certified
"No Leaks For Life" 231-675-2348
 Fax: 231-588-6088
 www.legendsglass.com • Ellsworth

We Have Moved
STOP IN AND SEE OUR NEW STORE!!!
 Watch us on facebook for our specials!
 6585 M-66, Charlevoix MI
231.547.9624
 Open Mon-Sat 9-5
 Bergmann Center www.bergmanncenter.org

CUSTOM & ANTIQUE FURNITURE
 In the Rough, Professionally Painted or Completely Restored
 Over 7,000 sq. ft. of Furniture, Antiques & Goodies
FURNITURE BARN
 06176 Old U.S. 31 South, Charlevoix, MI 49720
 (231) 547-0133 • Cell (231) 881-0353
 Web: dkellyantiques.com
 E-Mail: donkellyantiques@yahoo.com

News Briefs

ONLINE AT WWW.CHARLEVOIXCOUNTYNEWS.COM

EAST JORDAN GOSPEL MUSIC

The Open Door, a Christian Coffee House located at Lighthouse Missionary Church, 7824 Rogers Road is presenting gospel music the 1st and 3rd Saturday of each month from April thru December. May 1: Dale Rhea & Group. May 15: Foresters. June 6: Barry Maust. June 19: O.J. Adkins. Everyone is welcome

CHARLEVOIX COVID 19 VACCINE

Thursday, April 29, Charlevoix Co. Shirley Roloff Northside Center, 13513 Division St. Vaccine: Pfizer (16+, parent/guardian must attend) 1pm to 6:30pm. Web link: tinyurl.com/ChxCovidVax

Friday, April 30, Charlevoix Co. Shirley Roloff Northside Center, 13513 Division St. Vaccine: Pfizer (16+, parent/guardian must attend) 9:30am to 4pm. Web link: tinyurl.com/ChxCovidVax

BOYNE CITY BUFF UP BOYNE

Join us to Buff Up Boyne for the busy season on May 1st. Meet in Sunset Park anytime from 9a-Noon. Thank you to Family Fare for providing doughnuts, Boyne City Bakery for providing coffee, Dearborn Sausage Company for providing hot dogs, and the Boyne Lions for doing the grilling.

BOYNE CITY NATIONAL DAY OF PRAYER

Come join in with others for the National Day of Prayer Thursday, May 6, Noon – 1pm. Praying together in the Veterans Park Community Pavilion. Always the first Thursday in May since 1988. For additional details contact Fawn Glassford 810-444-7433

CHARLEVOIX COUNTY COA MEALS UPDATE

We are providing Hot Home Delivered Meals to our home bound clients by \$3 donation. We are providing weekly Disaster Meals delivered by reservation to any Charlevoix County resident 60 years old or older so that our most vulnerable do not need to leave their homes as often. This is a once a week delivery of a Hot Meal and 6 frozen meals. This need to be ordered through the COA office 231-237-0103 on the Thursday before the week you want it and is a \$3 donation per meal.

We are continuing to provide Hot Curbside Pick-up meals at each of our Senior Centers five days a week by \$3 donation – No reservations needed!

BOYNE CITY EARLY LEARNERS PROGRAM

Calling all parents of Pre-school-aged kids. The Early Learners Program is enrolling for the Summer and next Fall session. Each family should fill out this form if your student will be 3 or 4-years-old next year. For more information please see the Early Learners Web-page at <https://www.boyne.k12.mi.us/District/Department/4-Early-Learners-Program> or email, Laurel Jewett, if you have questions at ljewett@boyne.k12.mi.us. By filling out this form - parents are starting the enrollment process. <https://docs.google.com/.../1F50LCHLNghoSw.../edit> (link to sign up)

CHARLEVOIX COUNTY COVID-19 VACCINES AVAILABLE TO HOMEBOUND RESIDENTS

The Health Department and EMS services in Charlevoix County have begun offering Covid-19 vacci-

nations to the homebound population in Charlevoix County. This service is intended only for individuals unable to travel to an established vaccine location—the Office of Emergency Management schedules appointments for home visits. The Johnson & Johnson single-dose vaccination shots will be given during these visits. Please note that EMS paramedics will not show up at your residence in an ambulance but another fully equipped vehicle. Paramedics will be prepared to provide medical service immediately in the rare event of an adverse reaction to the shot. They would dispatch an ambulance only if one is needed for transporting a patient to the hospital. Persons who are homebound or otherwise unable to travel but want a vaccine are encouraged to contact Emergency Management at 231-541-4461 (Sheriff's Dept Office Line) to schedule an appointment.

BOYNE CITY BOYNE MEETS BROADWAY

Boyne City High School Drama presents Boyne Meets Broadway 2021. Thur: May 6 at 7pm, Fri: May 7 at 7pm, Sat: May 8 at 2pm & 7pm. Performances are in the BCHS Performing Arts Center. All seats \$10. Please cash or check only. Tickets will be sold at the door only starting 1/2 hour before each show. General seating only. 300 person capacity at this time. Masks are required to wear at all times. This is a show only event (no dinner this year). Please come and support these kids. They are working hard in the face of adversity to put on a great show, cause "IT'S TIME TO DANCE!!!"

PETOSKEY FULL-TUITION SCHOLARSHIP FOR GRADUATING HOME SCHOOL SENIOR

North Central Michigan College will again provide a full-tuition scholarship to one graduating senior from a home school within its service area. Presidential Scholarships are offered for full tuition (up to 20 contact hours per semester) and mandatory fees for four consecutive semesters (fall and winter only). Field study fees are not included. Scholarship recipients must register for the fall semester immediately following their spring high school graduation. Documentation must be received by April 9, 2021. Applicants will be notified of the selection decision by May 1. For more information visit www.ncmich.edu/presidential, or contact Renee DeYoung, vice president of Student Affairs, at rdeyoung@ncmich.edu or 231-348-6618. ncmich.edu

BOYNE CITY INDOOR FARMERS MARKET

Saturdays, 9am – Noon, Pavilion, 207 N. Lake Street. Our indoor season home in the pavilion is ready for you all. Over 20 vendors with a variety of produce, baked goods, crafts, coffee and more. For more information on the market, visit the Boyne City Farmers Market Facebook page or email farmersmarket@boyncity.com

EAST JOPRDAN BOOK DRIVE

EJ Co-op Nursery school is having a book drive. We are collecting books to expand our classroom library. Help us by gathering your gently used children's books and contacting us for pick up or by utilizing a drop spot at the Iron Goat, TBC Wellness or South Arm Cafe. Now thru May 7, all day, every day. Email ejcoopnursey@gmail.com

CHARLEVOIX

GYM WALKING WILL BE AVAILABLE AGAIN FOR OUR CHARLEVOIX COUNTY AGING ADULTS.

Charlevoix Walking Location: Charlevoix County Building Northside, 13513 Division

Street, Charlevoix. With the county's purchase of the old elementary school, and the Gym being part of the Senior Center, we are excited to make it available for walking again through the winter and spring by reservation only. We will have 10 spots per hours available for those who are interested. You must maintain 6 foot social distancing and wear a mask for the time you are in the building. You must wear shoes & use walking assistance (canes, walkers, etc.) specific for indoor use only to protect the gym floor. Walking will be available on the mornings that the gym is available. To reserve your time slot please contact Sheri at (231) 237-0103

ELLSWORTH GARAGE AND BAKE SALE FUNDRAISER

Ebenezer Christian School's spring Garage and Bake Sale Fundraiser 9541 White Street, Ellsworth. May 6th, 7th, 8th. Doors to the gym open Thursday and Friday from 8:30 until 4pm. Saturday doors open at 9:00 until Noon and everything is free. All Items (except baked goods and large items) are just \$5 per brown paper grocery bag (provided).

BOYNE CITY NATIONAL MOREL MUSHROOM FESTIVAL

The dates for the 2021 National Morel festival will be May 14-15-16, 2021. To prevent the spread of covid-19 the festival has been down-scaled for everyone's safety. May 14, 15 & 16 Events include: Annual arts and crafts in Veteran's park (hours will be posted on our website, bcmorelfestival.com). Due to the current pandemic, these popular event will not be possible this year: Music under the Tent, The Taste of Morels, The Guided Hunt, and The National Morel Festival Competitive Hunt. New events and activities will be updated on our website and on our Facebook page.

BOYNE CITY WINE & DINE

The Mushroom Festival Wine & Dine dinner will be held Friday, May 14 at the Beach House restaurant on Deer Lake. Enjoy scenic views as you experience morel inspired creations paired with wines. Tickets are \$60 per person, which includes five morel-infused hors d'oeuvres, five wine tastings, tax and gratuity. To register, visit the chamber of commerce website at www.boynechamber.com.

CHARLEVOIX CHARLEVOIX FARMERS MARKET BEGINS MAY 20TH

We will be opening our Market season on Thursday, May 20. Check back to our Facebook page frequently as we will be posting and updating our vendors, and other market information. If you would like to be included in the weekly email newsletter, or volunteer at our market, please email me at betha@charlevoixmi.gov.

BOYNE CITY RUBBISH COLLECTION

The City will hold a residential rubbish collection program on the above two dates only. Saturday, May 22, 2021. This service is for all 3 unit or less residential dwellings in the city. It is not for properties outside the city nor is it for commercial

businesses. This program is in addition to, not a replacement of, your existing residential household garbage collection. It is still your responsibility to properly dispose of your garbage separately.

EAST JORDAN, ELLSWORTH, BOYNE FALLS GARAGE SALES ACROSS THE BREEZEWAY

Don't forget to contact the Chamber to get your Garage Sale on our list for the 12th Annual Garage Sales Across the Breezeway scheduled for Friday and Saturday, May 28 - 29. Get your sale on the list for \$10.00. Call the Chamber today at 231-536-7351.

EAST JORDAN GYM WALKING WILL BE AVAILABLE AGAIN FOR OUR CHARLEVOIX COUNTY AGING ADULTS.

East Jordan Walking Location: East Jordan Senior Center, 951 Mill Street, East Jordan. The EJ School Gym use is being made part of the Senior Center again this year, and we are excited to make it available for walking through the winter and spring by reservation only. We will have 10 spots per hours available for those who are interested. You must maintain 6 foot social distancing and wear a mask for the time you are in the building. You must wear shoes & use walking assistance (canes, walkers, etc.) specific for indoor use only to protect the Gym floor. Walking will be available to seniors from 10:30am - 11:30am only Monday through Friday. To reserve your time slot please contact Brenda at: (231) 536-7831. These dates and times are subject to change depending upon the current Pandemic situation and/or the needs of the Community to utilize this space to fight the Pandemic. By making a reservation you will be called if there are any changes to your dates or times. Thank you for your patience.

BOYNE CITY BACK TO THE BRICKS

Boyne City Main Street is pleased to welcome and host the Back to the Bricks Promotional Tour car event on Sunday, June 6th from 1-4 p.m. in downtown Boyne City. Back to the Bricks brings together classic cars and car enthusiasts for an afternoon car show for the entire community to enjoy.

CHARLEVOIX COUNTY FINANCIAL ASSISTANCE AVAILABLE

Have you experienced financial hardship due to the COVID-19 crisis? Northwest Michigan Community Action Agency (NMCAA) has funding from the federal CARES Act to assist with various needs (utility help, car repairs, housing costs, diapers, baby formula, phone bills, etc.). You may be eligible for assistance if you meet income guidelines and live in NMCAA's service area (Antrim, Benzie, Charlevoix, Emmet, Grand Traverse, Kalkaska, Leelanau, Missaukee, Roscommon, and Wexford Counties). To apply for help, please contact our CARES Intake Specialist at 800-632-7334.

BOYNE CITY STROLL THE STREETS

Friday evenings from mid-June through Labor Day. Our downtown comes alive as families and friends "stroll the streets" listening to music, enjoying entertainment, children's activities and so much more.

BOYNE CITY PAVILION SUMMER CONCERT SERIES

The Boyne Area Chamber produces this free summer concert series on Wednesday evenings beginning at 6:30 p.m. The 2021 summer series will take place in the Pavilion at Veterans Park.

6/16/2021	Full Moon Jam Band
6/23/2021	Wyatt & Shari Knapp
6/30/2021	On Tap
7/7/2021	Great Lakes Orchestra
7/14/2021	TBD
7/21/2021	Full Circle
7/28/2021	Billy McAllister
8/4/2021	Nelson Ostrom
8/11/2021	The Real Ingredients
8/18/2021	Matt Gabriel
8/25/2021	Full Moon Jam Band

EAST JORDAN WATERCOLOR WORKSHOP

Artist Luke Buck returns for his 12th Watercolor workshop at Raven Hill Discovery Center. The workshop is scheduled for Thursday, June 24th and Friday, June 25th from 10am to 3pm both days. The focus this year is on "Old Barns" in conjunction with the Center's coming Smithsonian exhibit on the History of Work in August & September of this year. Luke's workshop will emphasize the construction of barns and participants will examine the interesting variations and styles of barns found throughout the country and the beauty that they portray.

BOYNE CITY KINDER CLOSET

At Christ Lutheran Church is open from 10am to noon on the second Saturday of every month. Free baby items are provided, including diapers; wipes; clothes and more, for any Charlevoix County parent with a newborn to 24 month-old-child. Christ Lutheran Church is located at 1250 Boyne Avenue in Boyne City. For more information, call 231-582-9301.

CHARLEVOIX COUNTY SENIOR AND EMERGENCY GROCERY SERVICE:

Charlevoix County Transit & the COA has a Senior and Emergency grocery ordering delivery service as part of the services offered by the County's Transit. While delivery of items such as food pantry boxes, prescriptions and senior meals was well received, the grocery delivery was not widely used during the early months of the pandemic. One of the drawbacks that transit officials noticed was that for curbside pickup available for groceries an individual needed to place their order via a smartphone or web-based application.

The expansion of the Transit's delivery program will provide assistance to those needing help with ordering their groceries. County residents who would like to use the Grocery Ordering/Delivery Program can call Program Coordinator at 231-497-1430 on designated shopping days to place their grocery order. The program coordinator will then input the order with the caller, take payment information (credit/debit card) and then place the order as well as scheduling the grocery delivery in transit's scheduling system. This program is currently limited to in-county grocery stores utilizing the store shopping app.

Designated days/times for orders to be placed: Monday 1:30-3:00pm; Tuesday 9:00-10:00am and 1:30-3:00pm; Wednesday 1:30-3:00pm; Thursday 9:00-10:00am and 1:30-2:30pm

While this program initially focused on helping our county's aging population, with a surge in COVID cases and the flu season upon us, transit officials felt this was

a worthwhile community service that should be offered to anyone who is in need of help or worried about going into stores. Charlevoix County's Commission on Aging will assist the Charlevoix County Transit with getting information about this program out to the county's aging population as well as continue to assist those over 60 years old with transit fares for in-county rides as well as out-of-county medical appointments. For more information about Transit rides or the free delivery services offered, please call 231-582-6900 between 7:30am and 4:30pm, Monday through Friday.

BOYNE CITY FEED A FRIEND

Stiggs Brewery has a program called Stiggs Feed-a-Friend and it allows needy individuals to call in take-out orders every Sunday with a no questions asked policy. Order anything from our regular dinner menu. Order what you need. Order what you want. We understand that many of our family and friends have fallen on hard times. We are here to help. This program is a 501C3 Non-Profit and is made possible by our amazing community sponsors, donations and our hard-working staff. Learn more and/or donate at stiggsbrewingcompany.com/feedafriend

CHARLEVOIX

Hospice of Northwest Michigan invites you to join our Monthly adult grief, loss & bereavement support group, which takes place the 2nd Sunday of each month from 4-5pm at the First Baptist Church, 6781 M66 North. This program is open to anyone in our community looking for assistance in their grief process and is facilitated by Rev. David Behling. There is no charge to attend. Please feel free to call Hospice at 231-547-7659 to register or for more information.

EAST JORDAN

ARTIST LUKE BUCK RETURNS TO RAVEN HILL

The watercolor workshop is scheduled for Thursday, June 24th and Friday, June 25th from 10am to 3pm both days. The focus this year is on "Old Barns" in conjunction with the Center's coming Smithsonian exhibit on the History of Work in August & September of this year. Luke's workshop will emphasize the construction of barns and participants will examine the interesting variations and styles of barns found throughout the country and the beauty that they portray. Luke grew up and studied art in Indiana. Many "locals" here in northern Michigan appreciate his talents and collect his paintings. Early enrollment is encouraged, as space is limited. To register or for more information, email info@mi-ravenhill.org

BOYNE CITY DUCK RACE

July 4th the annual July 4th Duck Race. Buy a duck ticket for a chance to win cash prizes. Watch as 1200 ducks race down the river to the finish line.

NORTHERN MICHIGAN

Women's Resource Center of Northern Michigan provides counseling and support services at no cost to survivors of domestic abuse, sexual assault, child abuse, child sexual assault and adults molested when they were children. Support services include crisis counseling, individual counseling, support groups, trauma therapy (EMDR), play therapy for children, safety planning, advocacy and resources/referrals. If you or someone you care about has been a victim of crime, contact the WRCNM's main office at (231) 347-0067.

SERVICE SPECIALS

Get your vehicle ready for summer vacation!



FREE TIRE ROTATIONS FOR THE LIFE OF YOUR TIRES*



\$100 Mail-In Rebate

ON A SET OF 4 TIRES**

* WHEN PURCHASED FROM JIM WERNIG CHEVROLET'S PARTS DEPARTMENT. ** MAIL-IN REBATE AVAILABLE ON WWW.MYCERTIFIEDSERVICE.COM. \$100 REBATE AVAILABLE FOR THE PURCHASE AND INSTALLATION OF BRIDGESTONE, CONTINENTAL, GOODYEAR, HANKOOK OR PIRELLI. MINIMUM OF 4 TIRES TO QUALIFY FOR REBATE. REBATES EXPIRE APRIL 30TH 2021. \$70 REBATE ON A SET OF 4 TIRES FROM FIRESTONE OR MICHELIN. \$50 REBATE ON A SET OF 4 TIRES FROM BF GOODRICH, DUNLOP OR GENERAL.



BRAKE SERVICE SPECIALS

\$20 REBATE ON BRAKE PAD SET*
\$10 REBATE ON BRAKE ROTORS**
10% ADDITIONAL DISCOUNT OFF BRAKE PADS AND ROTORS***

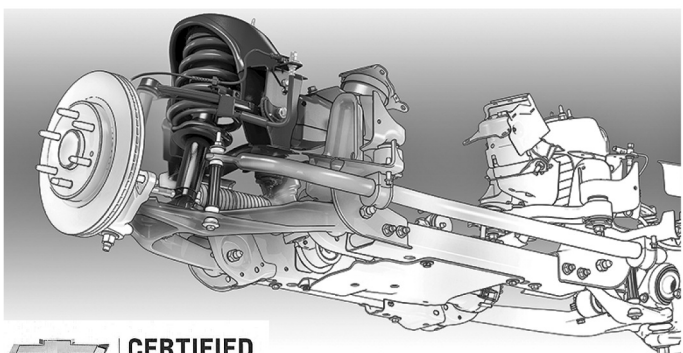
*MUST BE GM GENUINE PARTS OR \$10 REBATE WHEN PURCHASING ACDELCO BRAKE PAD SET. LIMIT 2 SETS. MUST BE INSTALLED AT THE DEALERSHIP. MAIL-IN REBATE AVAILABLE ON WWW.MYCERTIFIEDSERVICE.COM. REBATES EXPIRE APRIL 30TH 2021

**MUST BE GM GENUINE PARTS OR ACDELCO TO QUALIFY. LIMIT 4. MUST BE INSTALLED AT THE DEALERSHIP. MAIL-IN REBATE AVAILABLE ON WWW.MYCERTIFIEDSERVICE.COM. REBATES EXPIRE APRIL 30TH 2021

*** DISCOUNT MAY ONLY BE UTILIZED AT JIM WERNIG CHEVROLET'S PARTS DEPARTMENT. OFFER EXPIRES APRIL 30TH 2021



SUSPENSION SERVICE SPECIALS



\$20 REBATE ON STRUTS*

\$20 REBATE ON SHOCKS*



* MUST BE GM GENUINE PARTS. REDUCED TO \$10 REBATE IF ACDELCO. LIMIT 4. INSTALLATION MUST BE COMPLETED AT THE DEALERSHIP. MAIL-IN REBATE AVAILABLE ON WWW.MYCERTIFIEDSERVICE.COM. OFFER EXPIRES APRIL 30TH 2021.



A/C TUNE UP

\$169.95

INCLUDES UP TO 1.5 LB OF FREON AND DYE

OFFER EXPIRES APRIL 30TH, 2021.



10% OFF

SERVICE REPAIR AT

JIM WERNIG CHEVROLET

CAN NOT BE COMBINED WITH ANOTHER OFFER. OFFER EXPIRES APRIL 30TH, 2021.



CABIN AIR FILTER

AND INSTALL

\$39.95

ON MOST VEHICLES

OFFER EXPIRES APRIL 30TH, 2021.



FRONT WHEEL ALIGNMENT



\$59.95

(ON STOCK VEHICLES ONLY)

INCLUDES FREE FRONT END INSPECTION.

OFFER EXPIRES APRIL 30TH, 2021.



10% Off

BRAKE PADS

AND ROTORS

WHEN PURCHASED FROM JIM WERNIG CHEVROLET'S PARTS DEPARTMENT.

OFFER EXPIRES APRIL 30TH, 2021.



FREE BRAKE

INSPECTION

(\$50 VALUE)

WITH PURCHASE OF TIRE ROTATION (\$20)

OFFER EXPIRES APRIL 30TH, 2021.



Jim Wernig Chevrolet

2401 OLD 27 SOUTH
GAYLORD
989.732.5161

www.chevycentral.com



Subscribe to the Charlevoix County News

friendly and positive

news and sports covering all of Charlevoix County

Distributed to Boyne City, East Jordan, Charlevoix, Boyne Falls, Walloon Lake, Ellsworth and Atwood.

Published Weekly on Thursday

989-732-8160

Fax: 888-854-7441

office@charlevoixcountynews.com

www.charlevoixcountynews.com

Charlevoix County News March 7, 2019 **STILL JUST 75¢**

YOUR SOURCE FOR LOCAL NEWS & SPORTS
BOYNE CITY, CHARLEVOIX, EAST JORDAN, ELLSWORTH AND SURROUNDING AREAS

Boys Basketball
Rambler claim 5th straight District title
Lancers fall in heartbreaker to Central Lake
Charlevoix claims Division 3 district title
Young Rayerd Wrestlers have strong showing in Cheboygan Tourney
Regional Basketball Tourney schedule
NBA Standings Page 38
NBA Stat leaders Page 38
Men's college basketball rankings Page 38
Charlevoix Stingrays qualify 22 Swimmers for Championship Meet Page 48

News
Weather forecast Page 2
Snowfall report Page 2
Obituaries Page 2
National Nutrition Month Page 2
Charlevoix Business Expo/Taste of Charlevoix March 20 Page 3
East Jordan City Commission Nominating Petitions due April 23rd Page 3
Counterfeit hundred dollar bills being investigated Page 3
Telephone scam Page 3
Police report Page 3
News Briefs Page 4
Annual Project Connect Page 5
State Appeals Court asks Circuit Court to consider sentencing again for Charlevoix stabbing case Page 5
Michigan No Fault insurance reform under consideration Page 5

Route Carriers Wanted
Advertisers Postal Service has openings for a Rural Route Carrier and a Walking Route Carrier in East Jordan for Weekend Delivery.
A.P.S. Advertisers Postal Service
Pay varies depending upon the size of the route and number of days delivered. Must have dependable vehicle, valid driver's license and able to work weekends. This is a full-time position for someone looking to earn some extra money. Some of our best openings are reserved.
Contact Rob Smith • Call or text 989-619-5171

Boys Basketball
Rambler claim 5th straight District title Page 18
Lancers fall in heartbreaker to Central Lake Page 28
Charlevoix claims Division 3 district title Page 28
Young Rayerd Wrestlers have strong showing in Cheboygan Tourney Page 38
Regional Basketball Tourney schedule Page 38
NBA Standings Page 38
NBA Stat leaders Page 38
Men's college basketball rankings Page 38
Charlevoix Stingrays qualify 22 Swimmers for Championship Meet Page 48

Classified ads Page 4B-6B
Legal Notices Page 4B
Feature home of the week Page 5B

News
Weather forecast Page 2
Snowfall report Page 2
Obituaries Page 2
National Nutrition Month Page 2
Charlevoix Business Expo/Taste of Charlevoix March 20 Page 3
East Jordan City Commission Nominating Petitions due April 23rd Page 3
Counterfeit hundred dollar bills being investigated Page 3
Telephone scam Page 3
Police report Page 3
News Briefs Page 4
Annual Project Connect Page 5
State Appeals Court asks Circuit Court to consider sentencing again for Charlevoix stabbing case Page 5
Michigan No Fault insurance reform under consideration Page 5

City of East Jordan REALLY wants to hear ideas for growth and improvement

BY MICHELLE MEDJESKY
EAST JORDAN - Whether you live in a big city or a tiny town, it seems everyone has an idea or opinion about how they want to see their community grow or improve. But when city officials in East Jordan say they really want to hear those ideas and opinions from area residents, they really, really mean it.

Really? They mean it so much, in fact, that this month they launched a project called "Chalk Up the Town" in an effort to get the citizens of East Jordan to literally write down their ideas about how they would like to see the city develop on a giant, mobile chalkboard and map.

Those who do so are then encouraged to snap a selfie photo with their written words or sketches and email or text it to prodata@cityofeastjordan.com. The data will be collected and considered later this year by city planners.

East Jordan city administrator Tom Cannon said the "Chalk Up the Town" project began this month and will be ongoing at least through July. During that time, Cannon said the mobile chalkboard and map will travel throughout the city and surrounding area, where it will be set up at various businesses, restaurants, city spaces, public gathering spots, festivals and similar events.

The chalkboard is currently stationed at East Jordan City Hall.

Area Teams claim district titles in Boys Basketball

THIS WEEK IN SPORTS

Daylight Saving Time returns this Sunday

By JIM AKANS
It's the first sign of spring. While it doesn't seem that long ago when we "fall back," get ready to "spring forward" as Daylight Saving Time returns at 2am this coming Sunday, March 14. If you don't want to be late on Sunday or Monday, don't forget to set your car stereo, microwave, coffee maker, wall alarm clock, and other electronics to roll over on Sunday night, or you might show up late for Sunday. **PHOTO**

Reported effects include an increase in workplace and traffic accidents on the Monday following the time change, and even an increase in heart attacks the first three weekdays after DST Sunday. Exposure to bright light after waking and keeping lights off at night has been shown to help with readjustment. Going to bed an hour earlier isn't a good idea, as the body prefers going to bed and rising at the same time each day.

AD PRICES GOOD THRU MARCH 9-8, 2019

ANNOUNCING THE BIG PRICE DROP
ON EVERYDAY ITEMS ACROSS THE STORE

Save a lot
food stores

BLACK BERRIES 8 OZ. PKG. \$1.89 ea.
MANDARIN ORANGES 3 LB. BAG \$2.29 ea.
FRESH PORK BUTT ROAST. SOLD WHOLE IN BAG. 99¢ lb.
FRESH BONELESS BEEF RIB EYE STEAKS. FAMILY PACK. \$5.99 lb.

PO Box 1914, Gaylord, MI 49734-5914 • www.CharlevoixCountyNews.com • (989) 732-8160 • Office@CharlevoixCountyNews.com

Charlevoix County News 75¢

Standard Home Delivery:
\$55.00/year
With Coupon Only:
\$35.00/year
Out-of-County Delivery:
\$75.00/year
With Coupon Only:
\$55.00/year

SAVE \$20

Off Normal Subscription Rates LIMITED TIME ONLY

Call 989-732-8160 and mention Code "Save20" to receive your discount. Offer ends May 17, 2021

(Local area includes Boyne City, Boyne Falls, Charlevoix, East Jordan, Ellsworth, Petoskey, Gaylord)

www.CharlevoixCountyNews.com

athletes of the week

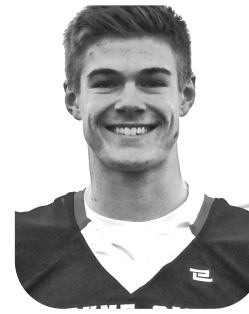


AVA MAGINITY
BOYNE CITY RAMBLERS
GIRLS TRACK

At Inland Lakes last week, Ava Maginity won the 1600m with a time of 5:56. She would also finish second in the 400m with a time of 1:04. Maginity led off the third place 4x200 Relay which included Sydney Veyser, Grace Dawson, and Maddie Matthews.

A.P.S. Advertisers
Postal Service

Need sale flyers distributed?
Contact Us today at: 989-732-8160
Select from zip codes all over Northern Michigan!



BOBBY HOTH
BOYNE CITY RAMBLERS
BOYS TRACK

At Inland Lakes last week, the team was led by Bobby Hoth winning the Long Jump with a jump of 18-01.75. Hoth would also come second in the 100m with a 12.13, and anchored the 4x100m relay team along with Phillip Banner, Jayden Hang, and Kayden Jewett.

Sports

AND OUTDOORS

Charlevoix County News

CALL (989) 732-8160
FAX (888) 854-7441

SPORTS@CHARLEVOIXCOUNTYNEWS.COM

SOFTBALL

Ellsworth Softball struggles against Elk Rapids, Central Lake

BY: DOM SANTINA

The Ellsworth Softball team has had a very rough start to the season. They would travel to play Elk Rapids on Wednesday, April 21. They would look to turn their 0-4 start around.

ELK RAPIDS

The Lancers would end up struggling against the Elks, as they would end up getting no hit. Emma Deyoung would end up getting the start on the mound. She would end up picking up three strikeouts, but ultimately get charged with the loss. The Lancers would drop game number one by a final score of 15-0.

In game number two, the Lancers would look for any positives. They would eventually come, as the Lancers would be able to get the bats going and at least give the Elks a good game. Alexis Danforth would have two hits, while Olivia Strange would pick up another. Avery Strange would get the start on the mound. She would strike out three but end up picking up the loss. The Lancers would fall by a final score of 14-10. The Lancers would end up dropping both of the games, which takes their record to 0-6 on the season.

The team would have to put the games behind them quickly as they would face Central Lake on Thursday, April 22.

CENTRAL LAKE

The Lancers would travel to take on the Trojans. In Game number one Avery Strange would start on the mound. The Lancers would get some run support but just not enough. As the Trojans would take the first game by a score of 7-3. Strange would be charged with the loss, but would strike out six.

In game number two, things would not get any easier for the Lancers. The bats could not keep up with the hitting of the Trojans. The Lancers would lose the second game by a final score of 15-4, which was stopped after five innings, due to the mercy rule. There would be six Lancers that picked up hits to lead the team, but it still would not be enough. The Lancers would drop both of the games and their record would move to 0-8 on the season.

The Softball team will be back in action on Wednesday, April 28 when they travel to play Maple City Glen Lake. Then they will host Wolverine on Friday, April 30.



Ellsworth Pitcher Avery Strange struck out six Central Lake batters. Photo by Dom Santina.



Lancer infielder Emma Deyoung fields a ground ball as Bella Essenberg and Lindsey Fisher back her up. Photo by Dom Santina



After catching a fly ball Molly Muladore fires the ball back to the infield to hold the runner. Photo by Dom Santina.

Rayders split double header with Rudyard

BY: DOM SANTINA

The Charlevoix Girls Softball team would get back in action on Thursday, April 22. The team would welcome Rudyard for a double header. The Rayders came into the matchup with a record of 1-3.

RUDYARD

The Rayders would have Madelyn

Sandison start on the mound for game number one. Sandison would not disappoint as she would only allow 1 earned run while allowing nine hits and striking out 10. Sandison would also contribute at the plate as she would have two doubles. Grace Lentz would really help offensively as she had a single and a double but drove in four runs. Kate Klinger would have a RBI triple, Avery Zipp would add an RBI double. The team would also have Anna

Kemp and Katheine Wagner contribute hits as well. The Rayders would be able to secure a 7-5 victory over the Bulldogs. Sandison would be awarded the win. The win moves the Rayders record to 2-3 on the season.

The Rayders would look to move to 3-3 on the season with the second game of the double header. Kate Klinger would start on the mound for the Rayders. Klinger would allow eight hits and strike out five

before being relieved. Kylie Drost would come in to replace Klinger on the mound. Zipp would again contribute on offense with a double, two singles and 3 RBIs. Zoe Brodin would also contribute three hits and 2 RBIs. Sandison would contribute an RBI on a double. The Rayders offense would also have Kemp, Klinger, Drost and Wagner contribute hits. The Rayders would end up dropping the second game by a final score of 12-9. The loss would be

charged to Klinger. The loss will move the Rayders to 2-4 on the season.

The team will travel to play Manton on Monday, April 26. The team will travel to play East Jordan on Thursday, April 29 which will wrap up the week.

WANTED

AT LEAST 50 QUALITY USED RV'S IMMEDIATELY!



TOY HAULERS
TRAVEL TRAILERS
FIFTH WHEELS
TENT TRAILERS
TRUCK CAMPERS



Sales & Service • Parts & Propane • Open Monday-Saturday 9AM-5PM • NorthernMichiganRV.com • (989) 448-8700 • 277 Expressway Ct., Gaylord, Michigan

Sports

ONLINE AT WWW.CHARLEVOIXCOUNTYNEWS.COM

SOCCER

Rayders stay perfect

Prepare For tough week in LMC

BY: DOM SANTINA

The Charlevoix Girls Soccer team has started the season off perfect. They came into their matchup with Traverse City St. Francis on Thursday, April 22 with a record of 3-0.

TCSF

The Rayders would open the scoring in the first half. Junior Camryn Turkelson would make a great through ball to freshman Karlee Eaton who finished off the play by putting the ball in the back of the net. A big way for Eaton to start her varsity career, as she scored in her first varsity game. As halftime started to approach, the Rayders would have a corner kick, which would be taken by senior Paige Carson. She would connect with freshman Kylee Rice who would go top

shelf to make it 2-0. In the second half, the Gladiators would be able to get through the Rayders defense and beat goalkeeper Claire Scholten. This made it 2-1, but that would be the only shot the Rayder defense would allow. They would hold on for the victory and Scholten would pick up the win. The win moves the Rayders to 4-0 on the season and 3-0 in the Lake Michigan Conference.

“I was pleased with our intensity in the first half. We were able to create some opportunities and score two goals. I felt we came out a bit flat the second half and played a bit sloppy at times. Unfortunately we had one defensive breakdown that cost us the shutout. Our defense led by Mikayla Sharrow, Ava Boss, Kelsey Wiatrolik and Merette Carson was once again extremely strong tonight. Other than the one goal,

they did not give up a single shot on goal,” said Head Coach Peter Scholten.

The Rayders would then welcome Kingsley on Friday, April 23. The Rayders would continue their strong start that they have had this season.

In the first half, the Rayders would start at the 33:34 mark in the first half. When Claire Scholten assisted Camryn Turkelson for the goal. Then at the 30:36 mark, Mikayla Sharrow assisted Turkelson for the goal. The Rayders would continue on the offensive end at the 26:15 mark with Karlee Eaton scored unassisted. The Rayders would add two additional goals as Paige Carson assisted Scholten for the goal. Carson and Turkelson would pick up another assist on an Eaton Goal with 3:38 left in the half. The Rayders would hold a 5-0 lead at halftime.

In the second half, the

Rayder would pick up right where they left off. Just a few minutes in would have Patria Muriel assisted Kyri Titus for another goal. Mikayla Sharrow would add another on to make it 7-0, when she scored unassisted. The game would be called after Maya Whitley assisted Paige Carson for the goal to make it 8-0. The game would end up being another mercy rule. The win would move the Rayders to 5-0 on the season and remain 3-0 in the Lake Michigan Conference.

Addison Boop earned the shutout in goal. The Rayders will host Boyne City on Tuesday, April 27. They will then travel to play Elk Rapids on Thursday, April 29. While wrapping the week up with a game against Suttons Bay on Friday, April 30.

2021 BCAM
TEAM FIRST
Boys Basketball
Award Winners

The TEAM FIRST Award is given to one member per varsity team who is chosen by their BCAM member coach. This team member should be the person that most exemplifies putting team before self, teamwork, commitment, service and sacrifice.

Isaac Golden, Bellaire
Josh Mollen, Cheboygan
Colby Ferguson, East Jordan
Izak Bolde, Elk Rapids
Evan Cary, Ellsworth
Sheldon Huff, Johannesburg-Lewiston
Keeanu Jones, Mackinaw City
Spencer Nash, Onaway
Jackson Strickler, Roscommon
Ned Milne, Traverse City Central
Tommy Puetz, Traverse City St. Francis
Jake Bonus, Ogemaw Heights

2021 BCAM
TEAM FIRST
Girls Basketball
Award Winners

The Basketball Coaches Association of Michigan has announced its 2021 girls basketball TEAM FIRST Award winners.

The TEAM FIRST Award is given to one member per varsity team who is chosen by their BCAM member coach. This team member should be the person that most exemplifies putting team before self, teamwork, commitment, service and sacrifice.

Paige Liddell, Ogemaw Heights
Karsyn Fischer, Bellaire
Kari Day, Boyne City
Lauren Shepard, Charlevoix
Gabby Krakow, Elk Rapids
Molly Kinser, Gaylord
Belle Hatfield, Grayling
Jersey Beauchamp, Mackinaw City
Aubrey Idalski, Rogers City
Emmalee Hart, St. Ignace

Lake Michigan
Conference
Girls Basketball
All-Conference

The Lake Michigan Conference has released its 2021 girls basketball all-conference teams.

ALL-CONFERENCE

Jordan Noble, Boyne City
Ally Herrick, Boyne City
Taylor Petrosky, Charlevoix
Lauren Sheppard, Charlevoix
Mycah Heise, East Jordan
Mary Gregorski, Elk Rapids
Lauren Bingham, Elk Rapids
Monika Gregorski, Elk Rapids
Makenzie Castle, Grayling
Claire Hayhurst, Harbor Springs
Jordyn Disbrow, Kalkaska
Maggie Napont, Traverse City St. Francis
Gwyneth Bramer, Traverse City St. Francis

HONORABLE MENTION

Jaelyn Jarema, Boyne City
Mikayla Sharrow, Charlevoix
Anna Richards, East Jordan
Logan Reasoner, Elk Rapids
Kendall Standfest, Elk Rapids
Jasmine Youngblood, Grayling
Hailey Fisher, Harbor Springs
Maddy Wilkinson, Kalkaska
Colleen Hegewald, Traverse City St. Francis
Cora Pomaranski, Traverse City St. Francis

Girls Basketball Associated Press Division 2 All-State

PLAYER OF THE YEAR

Damiya Hagemann, Detroit Edison, Sr.
First Team All-State
Damiya Hagemann, Detroit Edison, Sr.
Ruby Whitehorn, Detroit Edison, Jr.
Taylor Walton, Harper Woods Chandler Park, Sr.
Abbey Kimball, Grand Rapids West Catholic, Jr.
AJ Ediger, Hamilton, Sr.
Ashley Bower, Portland, Jr.
Lexi Boyke, Frankenmuth, So.
Macey Fegan, Standish-Sterling, So.
Adelyn Moore, Caro, So.
Nicole Kamin, Escanaba, Sr.

COACH OF THE YEAR

Jason Haid, Portland.

SECOND TEAM ALL-STATE

Molly Anderson, Cadillac; Jaidyn Elam, Detroit Country Day; Ellie Toney, Corunna; Faith Carson, Buchanan; Kali Heivilin, Three Rivers; Jaylee Long, Newaygo; Gwen Rogozinski, Stockbridge; Kayla Giroux, Flat Rock.

COACH OF THE YEAR

Jerica Williams, Detroit Country Day.

HONORABLE MENTION

Emaia O.ÓBrien, Harper Woods Chandler Park; Claire Erickson, Sault Ste. Marie; Braquella Osborne,

Montague; Emma Arico, Detroit Country Day; Abbey Lodato, Clawson; Hailey Baumann, Wixom St. Catherine; Nydia Shumate, Madison Heights Lamphere; Sydney Vis, Grand Rapids South Christian; Hannah Schroeder, Allendale; Cadence Dykstra, Grand Rapids West Catholic; Liv Brunink, Grand Rapids Christian; Maddie Smith, Grand Rapids West Catholic, Brook Simpson, Belding; Stephanie Ainsworth, Wayland; Emma Witte, Grand Rapids Christian; Katie Tate, Grand Rapids Catholic Central; Parrish Hudson, Wayland; Hillary Griffin, Parma Western; Isabel Lindo, Williamston; Alyna Lewis, Parma Western; Hannah Vallier, Vicksburg; Alyssa Leister, Alma; Katelyn Baney, Paw Paw; Lauren Vanderstelt, Plain-

well; Ellen Bretzke, Benzie Central; Zoey Persails, Frankenmuth; Abi Tarrant, Bay City John Glenn; Carly McCrum, Bay City John Glenn; Elle Adrian, Standish-Sterling; Brenna Bartlett, Standish-Sterling; Bailey Taylor, Clare; Mya Hiram, Onsted; Lainey Garbarz, Ann Arbor Father Gabriel Richard; Mary Lengemann, Imlay City; Christina Bohm, St. Clair; Khloe Austin, Marine City; Kayla Ross, Onsted; Kara Stutzman, Blissfield; Anna Richards, Lansing Catholic; Brynn Reams, Ionia; Sydney Gillett, Corunna; Ava Guilford, Portland; Aiyanna Tanksley, Detroit Cody, Ava Scanlon, Grand Ledge.

COACHES

Kacee Reid, Lansing Catholic; Nate Thomasma, Newaygo.

Girls Basketball Associated Press Division 3 All-State

PLAYER OF THE YEAR

Bree Salenbien, Adrian Lenawee Christian, Sr.
First Team All-State
Bree Salenbien, Adrian Lenawee Christian, Sr.
Emma Anderson, Menominee, Sr.
Kenzie Bowers, Kent City, Sr.
Grace Bradford, Glen Lake, Jr.
Mya Petticord, Ypsilanti Arbor Prep, Jr.
Sarah Marvin, Byron, Sr.
Abrie Cabana, Grass Lake, Sr.
Lexus Bargesser, Grass Lake, Jr.
Elli Djerf, Calumet, Sr.
Taylor Folkema, Muskegon Western Michigan Christian, Sr.
Kallie Harrison, Bloomington, Sr.
Hallie Marshall, St. Ignace, Sr.

Krystina Kasson, Kalamazoo Hackett, Sr.
Alyssa Hill, Negaunee, Jr.

COACH OF THE YEAR

Andrea Cabana, Grass Lake

SECOND TEAM ALL-STATE

Macy Bisballe, Houghton Lake; Shea Tripp, Michigan Center; Sabrina Gottschalk, Rochester Hills Lutheran Northwest; Maddi Osantowski, Reese; Samantha Dietz, Waternivlet.

COACH OF THE YEAR

Andre Williams, St. Charles

HONORABLE MENTION

Shamya Reid, Redford Westfield

Prep; Ally Schultz, St. Ignace; Jayd Hovey, Hart; Jenna Harrison, Kent City; Kyla Wiersema, Muskegon Western Michigan Christian; Melanie Moore, Madison Heights Bishop Foley; Emily Grulke, Rochester Hills Lutheran Northwest; Amanda Barber, Gobles; Chloe Watson, Hemlock; Lindsey Pumford, St. Charles; Macy Kellstrom, Oscoda; Mady Pahl, Beaverton; Molly Gerow, Beaverton; Brooke Brauher, Morley Stanwood; Taylor Petrosky, Charlevoix; Emma Schierbeek, McBain; Olivia Bellows, Lake City; Lauren Wilder, Mantion; Maggie Napont, Traverse City St. Francis; Kaiden Glenn, Ypsilanti Arbor Prep; Lizzy Liedel, Erie Mason; Makayla Clement, Byron; Ty, ÓAna Williams,

Flint Hamady; Brooke Wenzlick, New Lothrop; Gabrielle Lutchka, Grass Lake; Zoie Bamm, Brooklyn Columbia Central; Grace Graham, Laingsburg; Ashlyn Wilkes, Vermontville Maple Valley; Lillian Jackson, Wellspring. Aydan Dalak, Reese; Madison Travis, Farwell; Emily Carbajal, Sand Creek; Carly Anschuetz, Adrian Madison; Zoe Myers, Saugatuck; Karris Moerler, Saugatuck; Alyssa Samartino, Madison Heights Bishop Foley; Delaney Seaman, Ithaca; Summer Smith, Breckenridge.

COACH

Scott Carlson, Kent City

Girls Basketball Associated Press Division 4 All-State

PLAYER OF THE YEAR

Mia Riley, Fowler, Jr.
First Team All-State
Mia Riley, Fowler, Jr.
Emma Riley, Fowler, So.
Elise Besonen, Ewen-Trout Creek, Sr.
Tessa Wagner, Carney-Nadeau, Jr.
Ava Boike, Genesee Christian, Jr.
Brooklyn Robak, Waterford Our Lady of the Lakes, Sr.
Anna Fernandez, Plymouth Christian, Jr.
Mia Judd, Lansing Christian, Jr.
Madison Looby, Saginaw Nouvel,

Jr.
Olivia Lowe, Leland, Sr.

COACH OF THE YEAR

Nathan Goerge, Fowler

SECOND TEAM ALL-STATE

Jacey Somers, Bellaire; Ella Szaatkowski, Posen; Abby Haller, Petersburg-Summeffield; Jenna Dove, Vestaburg; Makaiya Thomas, Saginaw A&S; Katelyn Pnacek, Coleman.

COACH OF THE YEAR

John Wilson, Saginaw Nouvel

HONORABLE MENTION

Breanna Weston, Petersburg-Summerfield; Chesney Molina, Rudyard; Kennedy Guild, Pickford; Rylie Koskinen, Baraga; Maddie Mumley, Mt. Pleasant Sacred Heart; Delaney Scully, Mt. Pleasant Sacred Heart; Reide Osterman, Baraga; Quinn Robak, Waterford Our Lady; Morganne Houk, Plymouth Christian; Lydia Meredith, Portland St. Patrick; Ryleigh Zinn, Genesee; Peyton Griffith, Mendon; Kylie Quist, Athens; Reese Williams, Colon; Briana Warner, Martin; Reagan Thorr, Frankfort; Judy Veldboom, Ellsworth; Dakota Sigler, Camden-Frontier; Makenna Banbury, Hills-

dale Academy; Kelly Leep, Zion Christian; Olivia Eerdman, Tri-unity Christian; Jessi Jewell, St. Joseph Michigan Lutheran; Delaney St. George, Kingston; Karly Kappen, Deckerville; Celeste James, Clarkston Everest Collegiate; Madison Smith, Mackinaw City; Marlie Postula, Mackinaw City; Larissa Huffman, Mackinaw City; Elly Sexton, Brethren.

COACHES

Mickey Moody, Petersburg-Summerfield
Brad Fischer, Bellaire

AREA BASEBALL TEAMS RANKED IN COACHES POLL

The Michigan High School Baseball Coaches Association has released its first regular season state poll of the 2021 season.

Division 2

- Orchard Lake St. Mary's
- Essexville-Garber
- Grand Rapids Catholic Central
- Stevensville-Lakeshore
- St. Clair
- Grand Rapids Forest Hills Eastern
- Trenton
- Saginaw Swan Valley

Division 3

- Grosse Pointe Woods University

Liggett

- Richmond
- Detroit Edison
- Buchanan
- Blissfield
- Homer
- Michigan Center
- Riverview Gabriel Richard
- Pewamo-Westphalia
- Cass City
- Elkton-Pigeon-Bay Port
- Clinton
- Algonac
- Gladstone
- Traverse City St. Francis

- Jackson Lumen Christi
- Onstead
- Erie-Mason
- Parchment
- Niles-Brandywine

Division 4

- Three Oaks River Valley
- Marine City Cardinal Mooney
- Ottawa Lake Whiteford
- Beal City
- Holton
- Kalamazoo Christian
- Mendon
- Adrian Lenawee Christian

- Unionville-Sebewaing
- Inland Lakes
- Bark River-Harris
- Muskegon Catholic Central
- Deckerville
- Gaylord St. Mary
- Petersburg-Summerfield
- Johannesburg-Lewiston
- Rudyard
- Harbor Beach
- Norway
- Bay City All Saints

Subscribe
to the Charlevoix County News
Distributed to Boyne City, East Jordan, Charlevoix, Boyne Falls, Walloon Lake, Ellsworth and Atwood.

friendly & positive
news and sports covering all of Charlevoix County

PUBLISHED WEEKLY ON THURSDAY

Charlevoix County News

Call: 989-732-8160
Fax: 888-854-7441

E-Mail: Office@CharlevoixCountyNews.com
www.CharlevoixCountyNews.com

SOCCER

Ramblers back at full strength, send strong message

BY: DOM SANTINA

The Boyne City Girls Soccer team has lived up to the expectations so far this season. A lot of people around the team felt that this was going to be another good team that could have a chance to make a run like two years ago. The team came into the game against Tawas with a record of 4-1.

TAWAS

The Ramblers had picked up their last two wins, while being shorthanded. When they welcomed Tawas to town on Thursday, April 22, they would finally be back at almost full strength. The Ramblers would jump on top of the Braves early on. Both the Noble sisters, Taylor and Jordan would pick up three goals. Taylor would pick up three additional assists to pad her stats. Inanna Hauger would also have two goals and an assist. Meagan Harmeling would also contribute two goals. The final goal of the game would go to Gabby Dunlop. Once again Ally Herrick would post her fourth shutout of the season. The four defensive backs of Reagan Woodall, Jordynn Sudderth, Kari Day and Ava Maginity did not allow one shot on goal. The Ramblers would pick up an 11-0 win. The game was ended at the end of the first half because of the mercy rule. The win



Rambler senior, Taylor Noble (18) gains possession on her way to scoring a goal during first half action. (Photo by Chris Fiel)

moves the Ramblers to 5-1 on the season and remains

at 3-1 in the Lake Michigan Conference.

“Something magical happens when this group is at full strength. The energy is high and from an entertainment perspective this group keeps everyone on and off the field engaged with the match. It was nice to see (Jarema and Taylor Noble) both back in the line-up since our first game with TC Central. We as a team can now begin to work on important tactics to prepare for the remainder of the season,” said Head Coach Ed Fantozzi.

The Ramblers will host Marquette on Friday, April 30. While wrapping up the week with a game against Cheboygan on Saturday, May 1.

Maggi McHugh (6) gets a shot off against Tawas. (Photo by Chris Fiel)



Boyne City's Jaelyn Jarema (4) gains control at midfield against Tawas. (Photo by Chris Fiel)

TRACK

Ramblers track team gets season rolling

BY: DOM SANTINA

The Boyne City Track and Field teams got their season started on Friday, on April 26 at Inland Lakes

The Girls team who went first for all of the events in 2021, would pick up 9 medals on the day. The effort would be led by Ava Maginity who would win the 1600m with a time of 5:56. She would also finish second in the 400m with a time of 1:04. Maginity led off the third place 4x200 Relay which included Sydney Veryser, Grace Dawson, and Maddie Matthews. Dawson would also finish second in the 800m in a time of 2:59. Dawson would also take third in the High Jump. Veryser finished fourth in the 300m Hurdles. Mathews finished second in the Long Jump and fourth in the High Jump with a jump of 4-06. Maddy Sobleski finished fourth in the 100m High Hurdles in a time of 21.29. Veryser, Dawson, and Mathews were joined by freshman Melany Rankin in our fourth place 4x100m Relay.

“Great start for the whole team.” - Girls Head Coach Andy Place

On the Boys side, they would take an overall finish of 4th place. While also having 13 new Personal Records at the Inland Lakes Invitational

The team was led by Bobby Hoth winning the Long Jump with a jump of 18-01.75. Hoth would also come second in the 100m with a 12.13, and anchored the 4x100m relay team along with Phillip Banner, Jayden Hang, and Kayden Jewett. The Ramblers would have Banner third in the 100m in 12.32, Aaron Bess, sixth in the 200m in 25.47 and Max Matthews fourth in the 400m with a 58.11. The team would continue to pick up medals with Brett Tonsor fifth in the 400m with a 58.15, the team of Banner, Jewett, Bess, and Hang finished 2nd in the 4x200m Relay in a time of 1:43.84. Then, Bess, Will Maginity, Tonsor, and Joel Carter took 3rd in the 4x400m Relay in 3:55.12. To end the long list of medal winners for the Ramblers were Carter, Maginity, Corbin Smith, and Tonsor finishing second in the 4x800m Relay in 9:44.29 and Brayton Ager finished 2nd in the Discus with a throw of 97-03.00. t

“All in all a very good start to the 2021 Track & Field Season” said Boy’s Head Coach Dave Wilson. The team will be back in action on Tuesday, April 27 when they host a Lake Michigan Conference Meet. The team will be in action again on Friday, April 30 when they attend the Gaylord Invitational.

Kevin Dudd Super Clean Chimney Sweep

- Masonry Repair
- Chimney Repair and Replacement
- Water Proofing
- Caps & Screen for Chimneys
- Chimney Sweeping

Servicing Gaylord, Grayling, Lewiston, Atlanta, Petoskey, Boyne, Indian River area

Call Kevin today for a free estimate
989-732-8913

Experienced and Insured

The NFPA recommends yearly inspection of your fireplace.

Prevent Fires! Keep your chimney clean.



For Sale

2005 FORD MUSTANG FASTBACK

Beautiful car. 191K, leather seats, 6 cyl, good tires, 5 speed, new JVC stereo with bluetooth, 2 door, cruise, power windows and locks, tinted windows, traction control, rear spoiler. \$6,600. Gaylord. Call or text 989-350-9235



Are you looking for quality work on your home at a fair price.

Call Northern Michigan's newest construction expert with over **12 YEARS' EXPERIENCE**

- Full service interior and exterior remodeling
- ASPHALT SHINGLE ROOFING AND REPAIRS
- DOORS AND WINDOWS
- VINYL SIDING
- DECKS
- KITCHEN AND BATH REMODELING
- HOME REPAIRS

MITTEN CARPENTRY LLC

Carl Mills - Owner

231-373-8829

mittencarpentry@gmail.com

Licensed and insured

**Run for
As Low As
\$200**

CLASSIFIEDS

**Delivered throughout
Charlevoix County Each Week!**

CALL: 989.732.8160 | EMAIL: office@CharlevoixCountyNews.com | ORDER ONLINE: www.CharlevoixCountyNews.com

4 WHEEL DRIVE

2000 Jeep Wrangler. 4x4, removable hard top, 5 speed. Only 131 K miles. Call for Lowest Price. Trade-ins Welcome. We buy Cars! Onaway Auto & Finance. 21061 M-68. Onaway. www.OnawayAuto.com. 989-733-8191. We also rent cars.

2006 Hummer H-3. 4x4, leather, moonroof. Sale Price \$11,495. As low as \$249 a month. Rivertown Auto Sales & Leasing. 989 VFW Rd, Cheboygan. 231-627-6700. www.rivertownautosales.com. Need a car a day or a week. We rent vehicles.

2009 Chevy Silverado 1500. 4x4, plow ready, double cab, spray in bedliner, tow pkg. Sale Price \$9,995. As low as \$249 a month. Rivertown Auto Sales & Leasing. 989 VFW Rd, Cheboygan. 231-627-6700. www.rivertownautosales.com. Need a car a day or a week. We rent vehicles.

2010 Ford F-150 Lariat. 4x4, Quad cab, navigation, soft tonneau cover, spray in bedliner. Call for lowest price. Trade-ins Welcome. We buy Cars! Onaway Auto & Finance. 21061 M-68. Onaway. www.OnawayAuto.com. 989-733-8191. We also rent cars.

2012 Ford F-250 Super Duty. 4x4, tow pkg, includes Western Snow Plow. Only 32,000 miles. Sale Price \$22,988. Trade-ins Welcome. We buy Cars! Onaway Auto & Finance. 21061 M-68. Onaway. www.OnawayAuto.com. 989-733-8191. We also rent cars.

ADVICE FROM GOD

Be careful that you don't practice your

religion in front of people to draw their attention. If you do, you will have no reward from your Father who is in heaven. Whenever you give to the poor, don't blow your trumpet as the hypocrites do in the synagogues and in the streets so that they may get praise from people. I assure you, that's the only reward they'll get. But when you give to the poor, don't let your left hand know what your right hand is doing so that you may give to the poor in secret. Your Father who sees what you do in secret will reward you. Matthew 6:1-4 CEB

ANNOUNCEMENTS

ANTIQUES & COLLECTIBLES

Oak Antique Craftsman One Drawer Desk Top File Cabinet. 14.5 wide, 24.5 deep, 13 high. \$250 each. 6 available. Call 989-350-9235. Gaylord

Vintage EDISON Diamond Disc Victrola Phonograph. Hand crank power. \$175. Gaylord. 989-350-9235

AUCTIONS

LIVE Equipment Auction May 1, 10am Gaylord. Featuring fleet trucks; compact tractors; skid steers; construction; farm and logging equipment; lawn and garden; shop and recreation. Least Auctioneers. MichiganAuction.com 833-323-2BID.

Live Estate Auction Saturday, May 8 at 10am. 69 E. Youngs Ct. Midland, MI. 1968 Mustang convertible; 1967 Ranchero Falcon Street Bikes; Antiques/Collectibles; Furniture; Garage/Outdoor. FurloAuction.com.

989-835-1581

Mann Estate Auction, On Line, Howell MI. 2016 Ford Focus SE, Zero Turn, Jet Ski, Furnishings & more. Complete Quality Estate, Bid May 6-10. narhi-auctions.com. 810.266.6474

Mathews Live Afternoon Estate Auction Fri. April 30 at 4PM. This good Live Sale Features: Lawn & garden equip., shop tools, firearms, fishing equip., lots of other sporting related items, household furnishings, antiques, primitives & collectibles. Located: 810 W. Martin St., in the City of Gladwin. Rebecca (Bill) Mathews, Owner. John Peck, Auctioneers (989) 426-8061. To view a complete detailed listing with hundreds of photo's visit johnpeck-auctions.com

WANTED: Collectors, Re-sellers, Bargain Hunters NOTICE: Weekly Online estate sales & collector auctions. Full house, themed collections, commercial. Local pickup or Worldwide Shipping. Check out our Current & Upcoming Auctions: EstateAuctionExperts.com

Weekly Online Auctions - Firearms, Sporting Goods, Tools, Lawn & Garden, Antiques & Collectibles. Go to: SherwoodAuctionServiceLLC.com for details. Contact Auctioneer Joe Sherwood for your Live on-site Auction Needs. 989-763-7157.

AUTOMOBILES

2002 Chevy Monte Carlo SS. Intimidator, Dale Earnhardt, moonroof leather. Sharp! Sale Price \$7,995. Rivertown Auto Sales & Leasing. 989 VFW Rd, Cheboygan. 231-627-6700.

www.rivertownautosales.com. Need a car a day or a week. We rent vehicles.

2003 Honda Accord. 120KW, 5 speed. Sale Price \$3,900. Rivertown Auto Sales & Leasing. 989 VFW Rd, Cheboygan. 231-627-6700. www.rivertownautosales.com. Need a car a day or a week. We rent vehicles.

2004 Lincoln Town Car. Presidential Town Sedan. Florida car, vinyl roof, leather seats. Sale Price \$5,999. As low as \$219 a month. Rivertown Auto Sales & Leasing. 989 VFW Rd, Cheboygan. 231-627-6700. www.rivertownautosales.com. Need a car a day or a week. We rent vehicles.

2005 FORD MUSTANG Fastback. Beautiful car. 191K, leather seats, 6 cyl, good tires, 5 speed, new JVC stereo with bluetooth, 2 door, cruise, power windows and locks, tinted windows, traction control, rear spoiler. \$6,600. Gaylord. Call or text 989-350-9235

2005 FORD MUSTANG Fastback. Beautiful car. 191K, leather seats, 6 cyl, good tires, 5 speed, new JVC stereo with bluetooth, 2 door, cruise, power windows and locks, tinted windows, traction control, rear spoiler. \$6,600. Gaylord. Call or text 989-350-9235

2007 Ford Freestyle. AWD, leather, 3rd row seat. 100 K miles. Nice! Sale Price \$5,495. As low as \$199 a month. Rivertown Auto Sales & Leasing. 989 VFW Rd, Cheboygan. 231-627-6700. www.rivertownautosales.com. Need a car a day or a week. We rent vehicles.

2008 Audi A4 2.0T. Leather, sunroof. Sale Price \$7,595. As low as \$229 a month. Rivertown Auto Sales & Leasing. 989 VFW Rd, Cheboygan. 231-627-6700. www.rivertownautosales.com. Need a car a day or a week. We rent vehicles.

2008 Ford Mustang Convertible. Auto, 162 K miles. Sale Price \$7,988. Trade-ins Welcome. We buy Cars! Onaway Auto & Finance. 21061 M-68. Onaway. www.OnawayAuto.com. 989-733-8191. We also rent cars.

2009 Buick LaCrosse CX. Nice, 122 K miles. Sale Price \$6,495. As low as \$219 a month. Rivertown Auto Sales & Leasing. 989 VFW Rd, Cheboygan. 231-627-6700. www.rivertownautosales.com. Need a car a day or a week. We rent vehicles.

2009 Ford Fusion. Only 92 K miles. Sale Price \$5,495. As low as \$199 a month with \$999 down. Rivertown Auto Sales & Leasing. 989 VFW Rd, Cheboygan. 231-627-6700. www.rivertownautosales.com. Need a car a day or a week. We rent vehicles.

2012 Mini Cooper. Leather, only 79 K miles. Sale Price \$8,995. As low as \$219 a month. Rivertown Auto Sales & Leasing. 989 VFW Rd, Cheboygan. 231-627-6700. www.rivertownautosales.com. Need a car a day or a week. We rent vehicles.

2015 Ford Fiesta. Only 67 K miles, great MPG. Great starter car. As low as \$149 a month. Trade-ins Welcome. We buy Cars! Onaway Auto & Finance. 21061 M-68. Onaway. www.OnawayAuto.com. 989-733-8191. We also rent cars.

2016 Ford Fusion SE. SYNC, rear camera. Sale Price \$9,988. Trade-ins Welcome. We buy Cars! Onaway Auto & Finance. 21061 M-68. Onaway. www.OnawayAuto.com. 989-733-8191. We also rent cars.

2018 Subaru Impreza. AWD, 42 K miles. Sale Price \$18,500. Trade-ins Welcome. We buy Cars! Onaway Auto & Finance. 21061 M-68. Onaway. www.OnawayAuto.com. 989-733-8191. We also rent cars.

2019 Ford EcoSport. Leather, rear camera. Sale Price \$18,988. Trade-ins Welcome. We buy Cars! Onaway Auto & Finance. 21061 M-68. Onaway. www.OnawayAuto.com. 989-733-8191. We also rent cars.

I BUY CARS! Wrecked or in need of mechanical repair, 1995 and up. Gaylord area. 989-732-9362

BOATS & MARINE

14 FOOT Smokercraft, flat bottom with trailer, \$625. 231-882-0440

2021 SUZUKI 4 HP outboard, never run, new in the box. \$1,525. 231-882-0440

30 Thrust Minnesota, new in the box, \$130. 231-882-0440

38 THRUST Minnesota trolling motor, \$140. 231-882-0440

BUILDING MATERIALS

AMISH BUILT mini cabins or storage sheds delivered to your site anywhere in Michigan. Starting at \$2,750. mynextbarn.com. 989-832-1866

METAL ROOFING regular and shingle style, half off on special colors. Also, lifetime asphalt shingles available. Licensed and insured builders. Quality work for 40 years. 517-575-3695.

Pole Barns & Garages by Standale Lumber. Utility building specialists serving Michigan for 60+ years. Call Caleb at 616-446-0542. Ryan at 419-350-2690. www.StandaleLumber.com

Rough Sawn Lumber, 60 cents a board foot. 2x4x8' is \$3.80. OSB 4x8, \$25 each. Phone evenings, Onaway 989-733-2088. Cash only.

CLASSIC AUTOS

1993 CAMARO Z-28 Indy Pace Car. 5,948 miles. \$20,900. OBO. 231-622-1553

1993 DODGE SHADOW CONVERTIBLE. New top, V0-6, electric blue, great interior, good condition, 184 K miles, \$1,600. 989-312-4228

CASH FOR pre-1970 vehicles. Michel's Collision & Restoration 231-622-1553

FIREWOOD & WOODSTOVES

ASHLEY WOOD STOVE. 6 months old, brick lined. \$945. Call Dale. 989-826-3090

STIHL Chainsaw Model MS170 14 chain. Used less than 2 hours. Includes manual & tool. \$100. 231-547-5439.

FURNITURE

Adjustable Bed Brand New with Im-comfort gel memory foam mattress. Retail Cost \$3,995, sacrifice for \$875. Call for showing or delivery 989-615-2951.

Amish Log Beds, Dressers, Rustic Table and Chairs, Mattresses for Cabin or Home. Lowest price in Michigan! dandanthemattressman.com. 989-923-1278

An AMISH LOG HEADBOARD AND Queen Pillow Top Mattress Set. Brand new-never used, sell all for \$375. Call anytime 989-923-1278.

GUNS

DOUBLE BARREL, 8 shot, 22 magnum revolver, \$400. 231-882-0440

H&R Model 900 9 shot .22 revolver, \$325. 231-882-0440

MOSSBURG 20 gauge pump, model 54132. Remington 22 Semi auto with scope, model 597. Both new, never fired. \$400 for both. 989-826-3649

HEALTH

Arthritis, COPD, Joint Pain or Mobility issues on the stairs? Stop struggling. Give your life a lift! An Acorn Stairlift is a perfect solution! A BBB Rating. Call now for \$250 off your purchase. Free DVD & brochure. 855-280-6240

DENTAL INSURANCE from Physicians Mutual Insurance Company. Coverage for (350+) procedures. Real dental insurance -Not just a discount plan. (Don't wait) Call now! Get your free Dental Information Kit with all the details. 877-253-3162 www.dental50plus.com/55 #6258

HEALTH

Having men's health issues? Thanks to science, ED can be optional. Try HIMS. Connect with a medical professional online. If approved, your prescribed medication is delivered to your door. Free online visit http://himsnow.com/mich

VIAGRA and CIALIS USERS. 50 Generic Pills, Special \$99. Free shipping. 100% guaranteed. 24/7 Call now. 888-835-7273. Hablamos Espanol

HELP WANTED

ALLIED UNIVERSAL is hiring security officers in Petoskey. \$13.48 per hour.

Must have diploma or GED. Must pass background and drug screen. Apply online at www.jobs.aus.com. or call Roger 616-581-5577

EXP'D CLASS A REGIONAL & OTR *\$5000 sign-on, avg. wk. \$1200+ health insurance (plus) 401K matching, great home time. 800-548-9783 or www.am-expressinc.com (*new tanker drivers)

Mancelona Public Schools has an High School English Teaching position open. Candidate must have a valid Michigan Teaching Certificate with a BA certification. Please send letter of interest and resume to Mancelona Public Schools, Jeffery DiRosa, Superintendent 112 St. Johns Ave., Mancelona MI 49659 or email it to jphillips@mancelonaschools.org

The Crawford County Commission on Aging is accepting applications for the following positions: In-Home Services Manager full-time \$18 hr. Senior Center Manager full-time \$18 hr. Nutrition Manager part-time \$18 hr. Kitchen Aide part-time \$9.87 hr. Homemaker part-time \$10.71 hr. On-Call Cook at \$12.78 hr. On-Call Homemaker \$12.04 hr. Job announcement, description and application can be found at www.crawfordcoa.org/about-us/employment.

HOMES FOR SALE

Lake access, two bedroom home with family room, enclosed porch, deck, two car attached heated garage, natural gas, two storage sheds, one acre corner parcel, walking distance to lake access. REDUCED \$10,000 to \$114,900. Call for more details. Koske Realty Co. 989-732-1012. Gaylord, MI.

LAND & PROPERTY

10 ACRES. Beautifully wooded with large maple trees, surveyed parcel with metal posts marking side lines around the property. Fronting county maintained blacktop road. \$26,500. Land contract terms available. Call Koske Realty Co. Gaylord. 989-732-1012

LOST & FOUND

MISSING CAT. Mostly white calico. Went missing on 4/9/21 on Erie st in East Jordan. Call 231-330-4015 with details if seen.

MISCELLANEOUS

BATH & SHOWER UPDATES in as little as one day. Affordable prices, no payments for 18 months. Lifetime warranty & professional installs. Senior & military discounts available. Call 877-401-2404

Become a published author. Publications sold at all major secular & specialty Christian bookstores. Call Christian Faith Publishing for your free author submission kit. 866-945-3813

CANADA DISCOUNT PHARMACY. Save up to 80% off prescriptions. Eliquis, Flomax, Xarelto, Viagra, more! Mention NEWS10 to save \$10 on first order. Call 833-604-0645 (Open M-F)

DIRECTV. Every live football game, every Sunday anywhere on your favorite device. Restrictions apply. Call 1VS, 888-351-0154

DISH Network. \$64.99 for 190 Channels. Blazing Fast Internet, \$19.99/mo. (where available.) Switch & get a free \$100 Visa gift card. Free voice remote. Free HD DVR. Free streaming on all devices. Call today. 866-950-6757

Earthlink High Speed Internet. As low as \$49.95 month (for the first 3 months.) Reliable high speed fiber optic technology. Stream videos, music and more. Call Earthlink today, 844-275-3510

Eliminate gutter cleaning forever! Leaf-Filter, the most advanced debris-blocking gutter protection. Schedule a FREE LeafFilter estimate today. 15% off Entire Purchase. 10% Senior & Military Discounts. Call 844-369-2501

FREE AUTO INSURANCE QUOTES for uninsured and insured drivers. Let us show you how much you can save. Call 888-330-4197

GENERAC Standby Generators provide backup power during utility power outages, so your home and family stay safe and comfortable. Prepare now. Free 7-year extended warranty (\$695 value!). Request a free quote today. Call for additional terms and conditions. 855-922-0420.

HEARING AIDS!! Buy one get one free. Nearly invisible, fully rechargeable IN-EAR NANO hearing aids priced thousands less than competitors. 45-day trial! Call 888-489-1252

High-Speed Internet. We instantly compare speed, pricing, availability to find the best service for your needs. Starting at \$39.99 month. Quickly compare offers from top providers. Call 844-290-4041

Large cart. Steel frame. Carpet shelves. Double sided. Each side is approx. 2 foot deep, 6 feet wide. Just bought new casters. 2 Available. Price reduced to \$100 for immediate sale. Text Dave at 989-350-9235

LONG DISTANCE MOVING: White-Glove Service from America's Top Movers. Fully insured and bonded. Let us take the stress out of your out of state move. Free quotes. Call 877-729-1638

Pond/Lake Weed Removal Tools (The #1 alternative to chemicals.) Performs C.P.R. Cuts-Pulls-Rakes. Made in Michigan. 989-529-3992. WeedguardProducts.com Enter promo code GATORMI for discount.

Reach Across Michigan with a Mega-Market Statewide Classified Ad! Over 1.2 million weekly circulation just \$249 per week! Buy 3 Get 1 Free! Call this paper, 989-732-8160.

The Generac PWRcell, a solar plus battery storage system. Save money, reduce your reliance on the grid, prepare for power outages and power your home. Full installation services available. \$0 Down Financing Option. Request a free, no obligation, quote today. Call 855-476-9698

**YODER BROS. LARGE HORSE AND CARRIAGE
SPRING CONSIGNMENT
AUCTION**

APPROX. 350 HORSES
4 AUCTION RINGS

Located at: Isabella County Fairgrounds, Mt. Pleasant, MI.

From Mt. Pleasant at Business 27 and M-20 junction north on Business 27 or (Old Mission) 3 miles to Isabella Fairgrounds. • Or from Rosebush, 4 miles south on Old Mission to Isabella County Fairgrounds - 500 N. Mission, Mt. Pleasant. Follow Yoder Bros. Auction signs.

SATURDAY, MAY 1ST, 2021 @ 9:00 am

APPROX. 70 DRAFTS, 100 + DRIVING HORSES

100+ RIDING HORSES & PONIES ★ 100 + CARRIAGES AND CARTS

HARNESSES ★ 100 + SADDLES EQUINE TACK

Lot #247 - 4-yr old Gelding
By: Tellitikeitis

Lot #14-15 - 48 5yr old
Belgian Mares

Lot #525-526 - 2 & 3 yr old
Pony Mares

SALE SCHEDULE

RING #1 9:00 a.m. Draft Horses and Haffingers followed by Amish Buggies - Driving Horses at approx. 12:00 p.m.

RING #2 9:00 a.m. Miscellaneous Equine Tack

RING #3 9:30 a.m. Saddles followed by Collars and Harnesses.

RING #4 10:30 a.m. Riding horses and ponies

CONSIGNMENT INFORMATION -
We Will Start Taking Carriage and Tack Consignments on Thursday and Friday, April 29th and 30th, 2021- 8:30 a.m. to 4:30 p.m. Carriages and horses can be brought Saturday morning on sale day. NOTE: We will not be accepting any small Horse Tack on Sale Day. Please, no horses with balking problems.

Yoder Brothers Auction Service

Specializing in Successful Auctions

Auctioneers LeRoy and Willis Yoder

9484 S. Rodgers Ave., Clare, MI • PH: 989-386-9082

ESTATE AUCTION OF RAY KNAFFLE

3930 Levering Road • Cheboygan, MI 49721

10 am, Saturday, May 1, 2021

Directions: Go west out of Cheboygan on Levering Rd. approx. 6 miles from State Street Light. Auction is on north side of Levering Rd. Follow signs.

Kubota 4-Wheel Dr. M5660 w/ Loader & Bucket (704 Hrs.)
John Deere 350 Dozer (just been totally overhauled & reconditioned) Nice
1970 Chrysler Newport (new engine) Nice
Root Rake for Dozer
Rock Picker-Power Take-off Driven & Hydraulics
Asst. Used Blocks & Brick
Lg. Assortment of Steel Roofing
Assortment of Rough Cut Lumber Old Trailers
3 Scraper Blades-Rear-mounted
Misc. Iron
2 Spiked-tooth Drags
3 Pt. Extension Arm
2-Bottom Plow
8' & 12' Drags
3 Pt. Post Hole Digger
3 Pt. Root Rake
2 Old Quack Hogs
3 Pt. 2-Row Cultivator
Old Steel Wheel Sickle Bar Mower
Pull-type Steel Wheeled
2-Bottom Plow
Smaller Antiques
Model A Parts & Engine
Ice Tongs
Wrenches

Lights
Lanterns
Nice 12-Gal. Crock
Railroad & House Jacks
Old Doors & Windows
Antique Fire Extinguishers
Old Bottle Cappers
Nail Kegs
2 Antique Carpentry Boxes
Wooden Planes
Milk Cans • Copper Boiler
Galvanized Boiler
Antique Pictures & Old Bread Box
Canning Jars
Ice Cream Makers
Old Games & Signs
Old Stool • Old Ice Box
Antique Steel Wheels
Antique Wood Stove-Nice
Antique Cook Stove w/Warmer & Water Jacket
Pool Table
Housewares & Dishes
Old Cupboards • Dressers
Wooden Ladders
Battery Chargers
Lots of Misc. Hand & Elec. Tools
Barrels-Cardboard & Steel
Approx. 200 Fence Posts
Trailer Axels • Wheel Barrows
Snowmobile Carts

2 Log Splitters
Old Gas Cans • Rope
Old 50 Cal. Muzzle loader
Wall Hanger
Antique Oil Cans
Old Steel Tractor Seats
Multiple Boxes of Nails, Screws, Bolts & Nuts
Old Hand Planters
Sleds & Toboggans
Old Pitcher-type Well Pumps
2 Old Reel Push Mowers
Horse Drawn Eqmt. & Parts
Antique Elain Boat Motor- approx. 3 hp
Old Jugs • Lanterns
Steel Leaf Blower
Fold-up Attic Ladder
EZ-Away Cooker
Antique Gas Stove
Numerous License Plates
A Ford Panel for Tailgate
Wooden Steering Wheel
Woodchuck Wood Furnace w/ Water Boiler for Home or Shop
Bedroom Dressers
Curio Cabinet
Antique Sewing Machine

So many items it is impossible to list all!

Horrocks Auctioneering & Appraisal Service

Auctioneer: Don Horrocks
1796 McRae Dr. • Cheboygan • Phone: (231) 627-7813 • Cell: (231) 420-0709

**Norwood Township
Ordinance No. 1 of 2021**

At their regular meeting held on April 19, 2021, the Norwood Township Board of Trustees passed a resolution to amend the Township Zoning Map concerning all of Tax ID #15-011-135-010-10 located at 00955 Norwood Road in Norwood Township and described as BEG AT NE COR OF NW 1/4 OF NW 1/4 SEC 35T33N R9W TH W 24 RDS S 13.5 RDS E 24 RDS N 13.5 RDS TO POB SEC 35 T33N R9W AND ALSO NW1/4 OF NW1/4 SEC 35 T33N R9W EX: COM AT NE COR OF NW1/4 OF NW1/4 SD SEC TH W 24 RDS TH S 13.5 RDS TH W 310 FT TH ATANG OF 86DEG56'25" TO LFT FRM LAST DESC CRSE 1018.26FT TO IR ST ON N LI OF CENTER ST IN VILL OF NOR TH E ON N LI SD ST TO W 1/8 LI SD SEC TH N ON SD 1/8 LI TO POB BEING PT OF NW1/4 OF NW1/4SEC 35-33-9 22.45A ON 11/28/2018 COMBINED 011-135-010-00 & 011-135-006-00.

Amendment to Zoning Map – The above described parcel has been rezoned from R1 – Low Density Residential to A - Agricultural.

Ordinance No. 1 of 2021 will be effective eight (8) days following publication of this notice.

A complete copy of the map, amendments and Zoning Ordinance are available at Norwood Township Hall by appointment or on our website at <http://www.norwoodtwp.org>.

Brenda Freds,
Norwood Township Clerk—

Run for
As Low As
\$200

CLASSIFIEDS

Delivered throughout
Charlevoix County Each Week!

CALL: 989.732.8160 | EMAIL: office@CharlevoixCountyNews.com | ORDER ONLINE: www.CharlevoixCountyNews.com

MOTORCYCLES & ATV

2001 HARLEY 883 SPORTSTER. Custom teal, \$4,000. 2002 Kawasaki, red, 500 Vulcan, \$2,500. 989-873-4136

RECREATIONAL VEHICLES

2021 Forest River RV XLR Hyper Lite 3016 Toy Hauler Travel Trailer. Sleeps 8, slideout, two entry doors, 16' garage, central vac, fireplace. MSRP \$55,129. Save \$12,134. Sale Price \$42,995. Northern Michigan RV. 277 Expressway Court, Gaylord. 989-448-8700. www.NorthernMichiganRV.com

2021 Keystone RV Outback Ultra Lite 291UBH Travel Trailer. Bunkhouse sleeps 9, slideout, outdoor kitchen. There is even an outside refrigerator for cold drinks! MSRP \$42,045. Save \$11,050. Sale Price \$30,995. Northern Michigan RV. 277 Expressway Court, Gaylord. 989-448-8700. www.NorthernMichiganRV.com

New 2020 EAST TO WEST Alta 2810KIK Travel Trailer. 2 Slideouts, Outdoor kitchen, kitchen island, fireplace, 21' power awning, heated underbelly and lots more. MSRP \$40,732. Save \$10,737. Sale Price \$29,995. Northern Michigan RV. 277 Expressway Court, Gaylord. 989-448-8700. www.NorthernMichiganRV.com

New 2020 Keystone RV Passport 3100QB GT Series Travel Trailer. Private Bunkhouse sleeps 10, outdoor kitchen, lightweight and towable behind many SUVs and half-ton trucks. MSRP \$38,256. Save \$10,261. Sale Price \$27,995. Northern Michigan RV. 277 Expressway Court, Gaylord. 989-448-8700. www.NorthernMichiganRV.com

SERVICES

STUMP GRINDING. Free estimates, fully licensed and insured. Call Rodger at 231-709-3999

SUV

2006 GMC Yukon Denali. DVD, leather, tow pkg, 3rd row seat. Sale Price \$6,995. As low as \$219 a month. Rivertown Auto Sales & Leasing. 989 VFW Rd, Cheboygan. 231-627-6700.

www.rivertownautosales.com. Need a car a day or a week. We rent vehicles.

2009 Lincoln MKX. Leather, double moonroof. Sale Price \$7,495. As low as \$229 a month. Rivertown Auto Sales & Leasing. 989 VFW Rd, Cheboygan. 231-627-6700. www.rivertownautosales.com. Need a car a day or a week. We rent vehicles.

2010 Cadillac Escalade. Leather, loaded. 196 K miles. Sale Price \$13,900. As low as \$319 a month. Rivertown Auto Sales & Leasing. 989 VFW Rd, Cheboygan. 231-627-6700. www.rivertownautosales.com. Need a car a day or a week. We rent vehicles.

2014 GMC Terrain SLT. Leather, 103 K miles. Sale Price \$13,988. Trade-ins Welcome. We buy Cars! Onaway Auto & Finance. 21061 M-68. Onaway. www.OnawayAuto.com. 989-733-8191. We also rent cars.

2016 Toyota RAV 4 XLE. AWD, moon roof, rear camera. Sale Price \$15,988. Trade-ins Welcome. We buy Cars! Onaway Auto & Finance. 21061 M-68. Onaway. www.OnawayAuto.com. 989-733-8191. We also rent cars.

2017 Dodge Journey SXT. AWD, hitch. As low as \$259 a month. Trade-ins Welcome. We buy Cars! Onaway Auto & Finance. 21061 M-68. Onaway. www.OnawayAuto.com. 989-733-8191. We also rent cars.

2019 Ford Edge Titanium, Rear camera, leather, SYNC. Sale Price \$26,988. Trade-ins Welcome. We buy Cars! Onaway Auto & Finance. 21061 M-68. Onaway. www.OnawayAuto.com. 989-733-8191. We also rent cars.

2019 Jeep Compass. 4x4, leather, rear camera, 45 K miles. Sale Price \$21,495. As low as \$319 a month. Rivertown Auto Sales & Leasing. 989 VFW Rd, Cheboygan. 231-627-6700. www.rivertownautosales.com. Need a car a day or a week. We rent vehicles.

TIRES

1 Goodyear Wrangler tire. p265/50r20. Mud & Snow. reduced to \$5. Text Dave at 989-350-9235

4 GOODYEAR M+S tires. P225/60 16 inch. Approximately 65% tread left.

\$80 for all. 231-539-8906

For sale, 20 mounted truck tires, many sizes, off road only, \$25 each. Phone evenings, Onaway, 989-733-2088. Cash only.

TRUCKS

2005 GMC Sierra. 4x4, fiberglass cap. Sale Price \$7,995. As low as \$229 a month. Rivertown Auto Sales & Leasing. 989 VFW Rd, Cheboygan. 231-627-6700. www.rivertownautosales.com. Need a car a day or a week. We rent vehicles.

2017 Ram 3500 SLT Utility Truck. Cummins turbo diesel. 4 TO CHOOSE FROM. Mileage ranging from 28 K to 110 K. Sale Priced from \$44,995 to \$49,995. Trade-ins Welcome. We buy Cars! Onaway Auto & Finance. 21061 M-68. Onaway. www.OnawayAuto.com. 989-733-8191. We also rent cars.

2019 Ford F-150. 4x4, quad cab, SYNC, rear camera, bedliner, hitch. 40 K miles. Sale Price \$31,988. Trade-ins Welcome. We buy Cars! Onaway Auto & Finance. 21061 M-68. Onaway.

www.OnawayAuto.com. 989-733-8191. We also rent cars.

VANS

2008 CHRYSLER TOWN & COUNTRY Touring Van. Light blue, 170,587 miles. Stow N Go seats, good condition, Michelin tires, \$3,150. 989-285-0707. Petoskey

2011 Ford Econoline van. 8 passenger with wheel chair lift, 151 K miles. Sale Price \$9,995. As low as \$275 a month. Rivertown Auto Sales & Leasing. 989 VFW Rd, Cheboygan. 231-627-6700. www.rivertownautosales.com. Need a car a day or a week. We rent vehicles.

2012 Dodge Grand Caravan. Handicap van with Braun Entervan package. Leather, only 95 K miles. Sale Price \$9,988. Trade-ins Welcome. We buy Cars! Onaway Auto & Finance. 21061 M-68. Onaway. www.OnawayAuto.com. 989-733-8191. We also rent cars.

2013 Dodge Grand Caravan. 4 captain

chairs, Stow N Go. Sale Price \$6,988. Trade-ins Welcome. We buy Cars! Onaway Auto & Finance. 21061 M-68. Onaway. www.OnawayAuto.com. 989-733-8191. We also rent cars.

2014 Dodge Ram CV Cargo Van. 176 K miles. Sale Price \$6,995. As low as \$99 a month. Rivertown Auto Sales & Leasing. 989 VFW Rd, Cheboygan. 231-627-6700. www.rivertownautosales.com. Need a car a day or a week. We rent vehicles.

2016 Chevy City Express LT Cargo Van. Front wheel drive, 24 MPG city. Sale Price \$10,495. As low as \$249 a month. Rivertown Auto Sales & Leasing. 989 VFW Rd, Cheboygan. 231-627-6700. www.rivertownautosales.com. Need a car a day or a week. We rent vehicles.

2016 Ford Transit 350. Handicap van with Braun package. Seats 8, 71 K miles. Sale Price \$29,988. Trade-ins Welcome. We buy Cars! Onaway Auto & Finance. 21061 M-68. Onaway. www.OnawayAuto.com. 989-733-

8191. We also rent cars.

2017 Nissan NV 200 SV. Cargo van. Sale Price \$8,995. As low as \$219 a month. Rivertown Auto Sales & Leasing. 989 VFW Rd, Cheboygan. 231-627-6700. www.rivertownautosales.com. Need a car a day or a week. We rent vehicles.

2019 Dodge Grand Caravan. Leather, rear camera, 51 K miles. Sale Price \$17,495. As low as \$270 a month. Rivertown Auto Sales & Leasing. 989 VFW Rd, Cheboygan. 231-627-6700. www.rivertownautosales.com. Need a car a day or a week. We rent vehicles.

WANTED

WANTED TO BUY. Baseball, football, basketball cards before 1970. Also looking for silver coins. Paying cash. 989-569-1201 Tawas area

Wanted: OUTBOARD MOTORS, any size, running or not. Also selling Outboard Motors. Call 989-619-2303

Real Estate Feature Property

UPDATED HOME WITH DEEDED/ SHARED LAKE CHARLEVOIX FRONTAGE



BY JIM AKANS

Set on a nearly half-acre site, this beautifully updated home is part of the Hillcrest Association neighborhood and has approximately 100 feet of deeded and shared Lake Charlevoix frontage.

This two bedroom home has approximately 1,040 square feet of spectacularly

updated living space. Highlights include an open concept kitchen, dining and living area, an additional dining room that is being used as a home office, a seasonal screened in porch that provides awesome extra space for the family, and much more. The home also has an attached 20x20 foot garage.

The spacious yard has plenty of space for entertain-

ing, and it includes a 24x30 foot pole building that has electric, concrete floor and lots of extra storage space. The deeded and shared frontage offers a beach and picnic area. What a fantastic spot to launch your kayak, pull up your boat or just enjoy relaxing at the water's edge.

This updated home on just under a half acre with deeded

and shared Lake Charlevoix frontage is located at 102 Orchard Drive just outside of East Jordan in the Hillcrest Association neighborhood, and it is listed at \$214,900. For more information or to arrange a home tour, call Jennifer Burr, Realtor, at Coldwell Banker Schmidt, 231 Water Street in Boyne City, at 231-582-6554 or email at jennifer.burr@cbgreatlakes.com



REAL ESTATE CORNER

BROUGHT TO YOU BY
HOLLY STARK
EXP REAL ESTATE



DO YOU HAVE BUYER'S PARALYSIS?

PART 3 OF 3

Fear of the future

Fear takes the fun out of a lot of things, but there is reasonable fear and unreasonable fear. Unreasonable fears have no basis in reality, so there is little you can do beyond getting professional help for your anxiety. Reasonable fears you can handle on your own with a little common sense.

Fear can be tamed by looking at the worst case scenarios compared to the best case scenarios. So examine the questions that are really bothering you.

What if we can't make our payments? This question can be balanced by a best case. What if we manage our money so well that we can make double payments? So the fear here is manageable - it comes down to how confident you are about managing your money. If you aren't sure of yourself, get help. Ask someone whose money management style you

for advice on how to manage your money better. Then stick with it.

What if the value of our home goes down in value? Would you feel as fearful if you asked yourself whether your property will go up in value? Property can go up or down, but all property requires maintenance or it surely will deteriorate in value. This can be easily prevented by having enough budgeted or in your reserves to perform scheduled and unscheduled maintenance. Look at the properties surrounding the home you are considering. Are they maintained with pride? Are they being updated? Then your chances are good that the neighborhood and your home will retain its value. Rest assured that there will always be a buyer for an attractive, well-maintained property.

Because it is not a liquid asset, real estate is not as volatile as you think. It goes down slowly and rises comparatively slowly. And home values even when depressed may get a resuscitation after a few years. Your

best hedge against the future is to keep your property in desirable condition.

You can't predict the future. The only thing you can do is prepare yourself to handle what may happen.

So money isn't the root of all evil, but it is the root of indecision - at least when you are paralyzed about buying a home. Thinking through the money issues can help you get moving one direction or the other. For some of you, just reading this article will put your jitters to rest. For others, you may realize that a home isn't in the cards for you right now, and that's OK. Wait a few days or weeks if you need to. Use the time to regroup. It is far better for you to work through a few obstacles than to jump into the largest investment of your life without confidence. If you can work through your fears, get your finances in tip top shape and proceed, you'll find buying a home doesn't have to be a paralyzing decision. In fact, it can be one of the most exhilarating things you'll ever do.

If you are worried about cash flow, then making disproportionately large house payments will tarnish the joy of home ownership, unless you can find ways to cut down the other pie pieces. Work to improve your cash flow. Accelerate your credit card pay-offs Don't incur new debt. Re-budget your expenses and eliminate unnecessary expenditures. Make compromises - vow to cut down if you can't cut something out. Be willing to move timelines for meeting your goals. Don't be influenced by others to live beyond your means. Set your sights on an affordable home, and you may find your dream home will appear right before your very eyes.

NOTICE OF PUBLIC HEARING SOUTH ARM TOWNSHIP, CHARLEVOIX COUNTY

The South Arm Township Planning Commission will hold a public hearing on **Tuesday, May 11, 2021 at 7:00 P.M.** at the South Arm Township Hall located at 02811 South M-66 Highway, East Jordan, Michigan for the purpose of receiving public comment concerning an application by John Boyer for a special use permit on his property situated at 05018 Waterman Road, East Jordan, Michigan which would allow him a micro-brewery and tasting rooms. The Brewery will be located in the old dairy barn. Tasting rooms will be located in the brewery and the events barn. The events barn is seasonal and be limited to spring, summer and fall.

If you have any questions or concerns or would like additional information pertaining to this request, you can contact John Ferguson, Zoning Administrator in writing at 8354 Mercer Road, Charlevoix, Michigan 49720 or by phone at 231-547-6218 or 231-459-8141.

NOTICE OF PUBLIC HEARING SOUTH ARM TOWNSHIP, CHARLEVOIX COUNTY

The South Arm Township Planning Commission will hold a public hearing on **Tuesday, May 11, 2021 at 7:00 P.M.** at the South Arm Township Hall located at 02811 South M-66 Highway, East Jordan, Michigan for the purpose of receiving public comment concerning an application by Luis Gavino (Shoreline Architecture & Design) at 1691 LaLonde Road requesting shore setback variances for future additions to the existing home up to 20.5 feet beyond the current 50 foot set-back requirements for this lakefront parcel. This lake setback variance request is approximately in line with adjoining homes and accessory structures.

If you have any questions or concerns or would like additional information pertaining to this request, you can contact John Ferguson, Zoning Administrator in writing at 8354 Mercer Road, Charlevoix, Michigan 49720 or by phone at 231-547-6218 or 231-459-8141.

NOTICE OF PUBLIC HEARING SOUTH ARM TOWNSHIP, CHARLEVOIX COUNTY

The South Arm Township Zoning Board of Appeals will hold a public hearing on **Thursday, May 13, 2021 at 7:00 P.M.** at the South Arm Township Hall located at 02811 South M-66 Highway, East Jordan, Michigan for the purpose of receiving public comment concerning an application by Keith and Jackie Howell (Jodi Bergmann, Designer) for three (3) variances for the connection of an existing boat-house to the existing house with a new roof, and for two (2) additions to the existing home, both of which fall within the R-2 15 foot minimum side set-back. The property address is 01679 LaLonde Road, East Jordan, Michigan.

If you have any questions or concerns or would like additional information pertaining to this request, you can contact John Ferguson, Zoning Administrator in writing at 8354 Mercer Road, Charlevoix, Michigan 49720 or by phone at 231-547-6218 or 231-459-8141.

PROCEEDINGS OF THE EAST JORDAN CITY COMMISSION

The East Jordan City Commission met April 20, 2021 at 7:00 p.m.; Mayor Penzien presiding with all members except Commissioner Hawley and all Board meeting minutes were approved as well as the Paid Bills in the amount of \$96,448.67.

Further Commission Action: Acknowledged Receipt of the Monthly Zoning Activity Report for March 2021; Accepted the Introduction to Ordinance 260; Accepted the Introduction to Ordinance 261; Accepted the Introduction to 262; and approved the extension of the current short term rental moratorium for an additional 60 days.

Copies of the minutes of the above meeting are posted in City Hall for review during normal office hours.

Cheltzi M. Wilson, MMC
City Clerk

News

ONLINE AT WWW.CHARLEVOIXCOUNTYNEWS.COM

HAGGARD'S
PLUMBING & HEATING

Life's so bright when the air's just right

Call Now!!
(231) 547-4046 **FREE Ac Quote!**

OPEN 24 HOURS

1ST CHOICE CAR WASH

NEW OWNERS!
plus... New Automatic Car Wash
Soft Touch or Touch Free Options

Marc Anderson 1400 Bridge Street
231-547-0742 Charlevoix, MI 49720

HAPPINESS IS THE COVID VACCINE!

COVID-19 VACCINE UPDATE

Now Scheduling Ages 18+

The health center will have access to a supply of COVID-19 Vaccine and are welcoming the community to sign up online to receive their vaccine.

Individuals will be contacted to schedule an appointment.

If you do not have access to the internet, please call our health center at 231-536-2206 ext.122 and a scheduler will contact you to setup your COVID-19 Vaccine.

Sign Up Online at
ejfhc.org/covidvaccine

Protected by the vaccine? Protect others by wearing a mask.

MDHHS

2 IN 5 HAVE NO SYMPTOMS

Spreads like NOT COVID

6 FEET APART

Spreads like NOT COVID

COVID-19 Testing - Hotline: (231) 222-2320

SCHEDULE AN APPOINTMENT
East Jordan Family Health Center:
(231) 536-2206

East Jordan LabCorp:
(231) 536-2930 or www.labcorp.com

HOURS
MON - FRI 9 am - 5 pm
SATURDAY 9 am - 1 pm

MASKS REQUIRED

DRIVE THRU PHARMACY
COMMUNITY WELCOME

EAST JORDAN Family Health Center

601 Bridge St., East Jordan Health Center: 231.536.2206
Pharmacy: 231.536.2207
www.ejfhc.org

Our Mission is "Your Health"

Laurence Yung, DO, MBA, CMO	Anna Mapes, FNP	April North, MD	Colleen Scott, DO	Joelle Woodruff, FNP

Helping Our Communities. Our Mission is Your Health.

Garden Club celebrates Earth Day



The Boyne Valley Garden Club celebrated Earth Day on April 22nd with their first in-person meeting of 2021 at the Veteran's Park Community Pavilion. The guest speaker for this event was Ty Ratliff, Associate Director of the Little Traverse Conservancy. Ty explained to club members how the Conservancy works to protect the natural diversity and beauty of Northern Michigan by preserving significant land and scenic areas, as well as fostering appreciation and understanding of our environment.

The BVGC will be planting the Main Street boxes on May 25th and their 11 community gardens on June 7th. For more information, visit their new website at boynevalleygardenclub.com

The guest speaker for Boyne Valley Garden Club was Ty Ratliff, Associate Director of the Little Traverse Conservancy

Sue DeYoung and Judy Edger Walk, Run, for a Cure 5k Walk Run

This fun event celebrates, supports and honors the courageous women impacted by breast cancer. The Annual Sue DeYoung/Judy Edger Memorial Breast Cancer 5K Walk/Run began in 1993, by Laurie Howell, as a memorial to Sue DeYoung. Sue, wife and mother of 4 children, lost her battle with breast cancer in 1992. Judy Edger, another key contributor to the event, also lost her life to with breast cancer.

To honor Judy's commitment to the cause, the community and the continuous search for a cure, her name was added to the event title in 1999. Laurie Howell, the original event organizer, lost her own battle with breast cancer in 2011; but not before leaving Charlevoix with a legacy event that continues to enhance community resources, aide those impacted by the illness, and advance the search for a cure. The Beta Sigma Phi sorority organized the Annual Sue DeYoung/Judy Edger Memorial Breast Cancer 5K Walk/Run event from 2005-2019, and formed Walk, Run, Cure.

Today, the Annual Sue DeYoung/Judy Edger Memorial Breast Cancer 5K Walk/Run event continues under the direction of Sandra Novotny, Sue DeYoung's daughter, and Shelley DeYoung. Supported by generous donations of area sponsors and a community of annual event participants, the Sue DeYoung/Judy Edger Memorial Breast Cancer 5K Walk/Run event has raised more than \$200,000 and continues to benefit both our friends/families affected by cancer, and the community resources supporting them; including, but not limited to Charlevoix Hospital Infusion Center, the Patient Care Program, Charlevoix Health Department, Camp Quality, Hospice of Northern Michigan, Beautiful Survivor, etc.

The event will be May 08, 2021
8:00 AM to 10:00 AM
Registration is \$30
Register at www.walkuncure.org/

LEGENDS Auto Glass
I DRIVE TO YOU!

- Free Mobile Service
- Insurance Work
- Repair or Replace
- All Makes & Models

Troy LaCount • Owner N.G.A. Master Certified
"No Leaks For Life" 231-675-2348
Fax: 231-588-6088
www.legendssautoglass.com • Ellsworth

Are you looking for a local insurance agent?

Call Don Jess today for a "No Problem®" quote.

CHARLEVOIX AGENCY INSURANCE

CHARLEVOIX AGENCY, INC.
Charlevoix • 231-547-4441

Auto-Owners INSURANCE
LIFE • HOME • CAR • BUSINESS

BCHS DRAMA PRESENTS:

BOYNE meets BROADWAY

Thursday, May 6th at 7pm
Friday, May 7th at 7pm
Saturday, May 8th at 2pm and 7pm

Tickets are \$10